

DEVRY



CATALOG OF PARTS

TYPE "C" 35MM. PROJECTOR

TYPE "NDC" AMPLIFIER

IMPORTANT!

When ORDERING Replacement Parts
For The PROJECTOR
ALWAYS GIVE:

- (1) SERIAL NUMBER
- (2) PART NUMBER
- (3) DESCRIPTION OF PART

DO THE SAME FOR THE AMPLIFIER.

TABLE OF CONTENTS

MAIN PROJECTOR ASSEMBLIES LISTED IN PARTS LIST CATALOG

Part Number	Description	Parts Analysis Page No.	Drawing Page No.
	Important Information	1A	None
1001	Condenser - Reflector Assembly	2A	3A
1005	Ventilating Motor Assembly	4A	4A
1430	Upper Case Assembly	5A	6A
1440	Lower Magazine Assembly	7A	8A
1450	Take-up Assembly	9A	10A
1470-A	Feed Magazine Assembly	11A	12A
1530-A	Drive Motor Assembly	15A	16A
2211	Lamphouse Assembly	17A	17A
2216	Feed Sprocket Assembly	18A	19A
2220	Sound Sprocket Assembly	21A	22A
2230	Film Gate Assembly	23A-25A	24A-25A
2259	Take-up Chain Idler Assembly	26A	27A
2259-A	Sound Sprocket Chain Idler Assembly	26A	27A
2263	Intermittent Movement Assembly	28A-29A	30A
2290	Sound Filter Assembly	36A	36A
2305	Chain Idler Assembly	37A	37A
2313	Photo Cell Mount Assembly	38A	38A
2330	Shutter Assembly	39A	40A
2340	Exciter Lamp Assembly	42A	43A
2350	Floating Film Idler Assembly	44A	44A
2367	Oiler Assembly	45A	45A
2379	Lens Mount Assembly	46A	46A-47A
2380	Holdback Sprocket Idler Assembly	48A	49A
2394	Sound Adjustment Roller Assembly	50A	50A
2395-A	Lower Fire Valve Assembly	51A	51A

Continued on Next Page

TABLE OF CONTENTS - Continued

Part Number	Description	Parts Analysis Page No.	Drawing Page No.
2404	Aperture Plate Assembly	52A	53A
2420	Aperture Release Assembly	54A	54A
2420-A	Film Gate Trigger Assembly	55A	55A
OFA-A	Film Guide Roller Assembly	56A	56A
SUB-ASSEMBLIES LISTED IN PARTS CATALOG			
1001-A	Condenser Assembly (Sub-Assembly 1001)	2A	4A
2224	Feed Chain Sprocket Assembly (Sub-Assembly of 2216)	20A	20A
2280	Intermittent Unit (Sub-Assembly 2263)	31A-32A	33A-34A-35A
2331-A	Shutter Blade Assembly (Sub-Assembly of 2330)	41A	41A
2370	Motor Chain Idler Roller (Sub-Assembly of 1530)	15A	16A
2390	Sprocket Idler Assembly (Sub-Assembly of 2216, 2220, 2280)	18A	20A
2393	Feed Shaft Assembly (Sub Assembly of 1470-A)	13A	13A
2395	Upper Fire Valve Assembly (Sub-Assembly of 1470-A)	14A	14A
ND	Amplifier Complete (30 Watts)	57A-58A 59A-60A	27
ND-12	Loud Speaker Complete	61A	None
	Numerical List of Projector Assemblies listed on Master Drawing.	62A	**
	Numerical List of Parts and Complete Units as Listed on Master Assembly Drawings.	63A-64A	**
	**MASTER ASSEMBLY DRAWINGS (Front and Rear Views) Bound to the INSIDE BACK COVER.		

IMPORTANT INFORMATION

Regarding the PARTS CATALOG That Follows

1. FOREWORD

This PARTS CATALOG for the DeVry Model "XD" 35mm. Motion Picture Sound Projector and Model "ND" Amplifier is presented in a manner to facilitate the identification of all assemblies, parts, etc., so that the servicing of the equipment and the ordering of replacement parts becomes an easy task.

2. DESCRIPTION OF PARTS

Names of all details or parts are listed with the NOUN first, followed by the descriptive unit or article name of which it is a part. EXAMPLE: BRACKET - FILM GATE.

3. USE OF ASTERISKS

An asterisk placed before the part name indicates that this part is NOT SOLD SEPARATELY, and that the entire sub-assembly or main assembly must be purchased.

4. ARMY-NAVY STANDARDS

Standard parts shown in the Army-Navy Standards Book are indicated on the individual assembly drawings by the A.N. part number just below the DeVry part number.

5. MASTER ASSEMBLY DRAWINGS

The Master Projector Assembly Drawings (Front and Rear Views) are attached to the inside BACK COVER. These drawings indicate the location of all major assemblies as well as those parts which belong to no definite assembly, but are required in order to complete the fabrication of the projector as a whole.

NOTE: For QUICK REFERENCE, LARGE FIGURES are used for the part numbers of MAJOR ASSEMBLIES.

6. WHEN ORDERING REPLACEMENT PARTS

When ordering replacement parts be sure to give:
 (1) Serial Number of Projector (3) Description of Part
 (2) Part Number (4) How Shipment is to
 be Made.

Do the same when ordering parts for the AMPLIFIER or SPEAKER.

DEVRY CORPORATION
 1111 ARMITAGE AVENUE
 CHICAGO, ILLINOIS

Branch Offices

5628 Hollywood Blvd.
 Hollywood, California

52 Vanderbilt Avenue
 New York, N. Y.

CONDENSER-REFLECTOR ASSEMBLY - PART NO. 1001

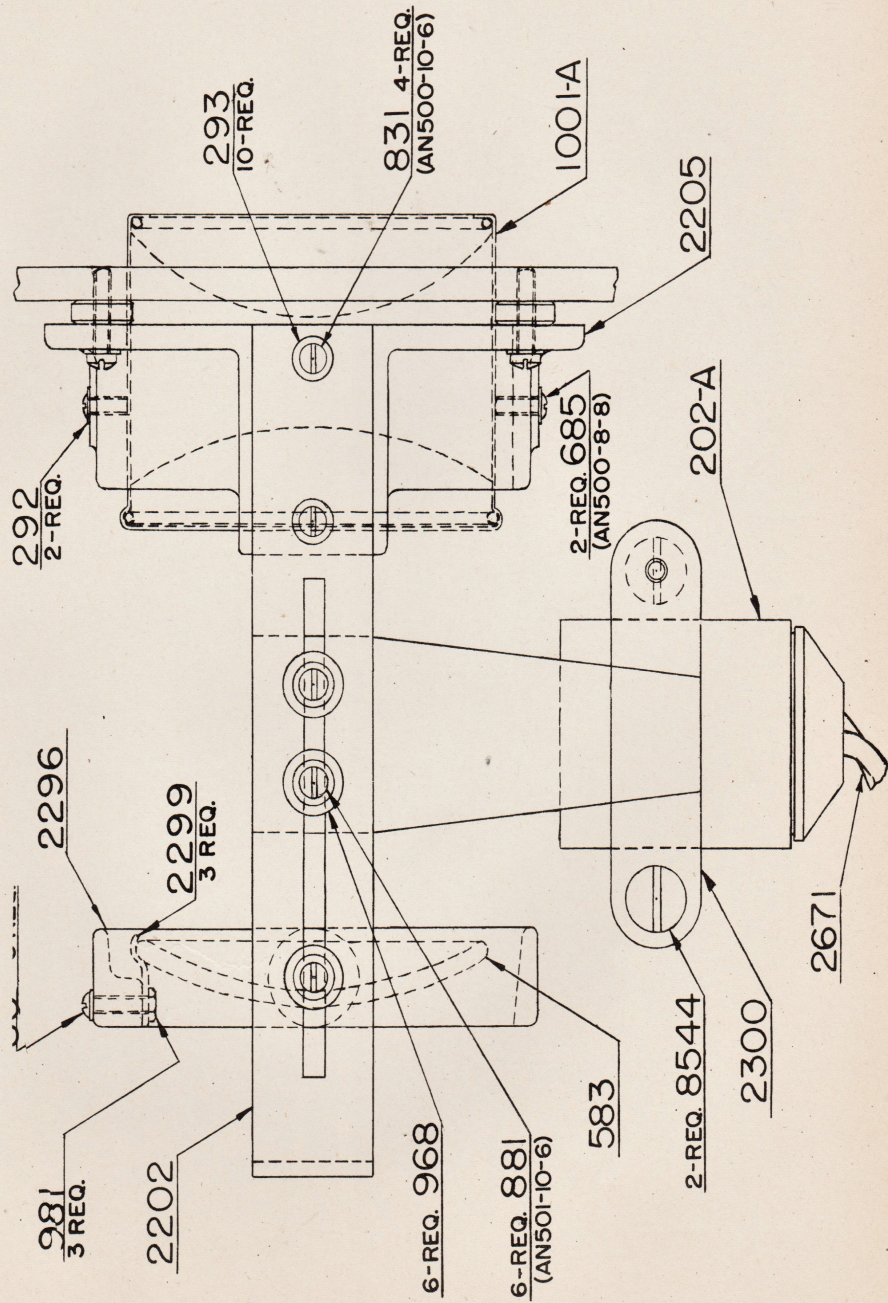
Refer to Assembly Drawing on Page 3A

Part Number	Description	Number Required
202-A	Socket - Prefocus Lamp Includes Part Numbers 2405 (Solder Lugs) and 2671 (#14 Asbestos Wire)	1
292	Washer - No. 8 Monel Lock	16
293	Washer - No. 10 Monel Lock	4
583	Reflector	1
685	Screw - 8/32"x1/2" Fillister Head	2
809	Screw - 6/32"x5/8" Round Head	3
831	Screw - 10/32"x7/16" Fillister Head	4
881	Screw - 8/32"x3/8" Fillister Head	6
968	Washer - Steel	6
981	Nut - 6/32" Hexagon	3
2202	Support - Projection Lamp Yoke	1
2205	Frame - Condenser	1
2296	Ring - Reflector	1
2299	Clip - Metal	3
2300	Clamp - Lamphouse Receptacle *Includes Part Numbers 2297 (Retainer) and 2298 (Clamp Bracket)	2
8544	Screw - Lamp Socket Clamp	2
CONDENSER ASSEMBLY - PART NO. 1001-A Sub-Assembly of 1001 Above. Refer to Assembly Drawing on Page 4A.		
581-A	Condenser - Prismatic	1
587	Condenser - Plain	1
1169	Spacer - Condenser	1
1170	Retainer - Wire Ring	2
1171-B	Housing - Condenser	1

*Not sold separately. Purchase 2300.

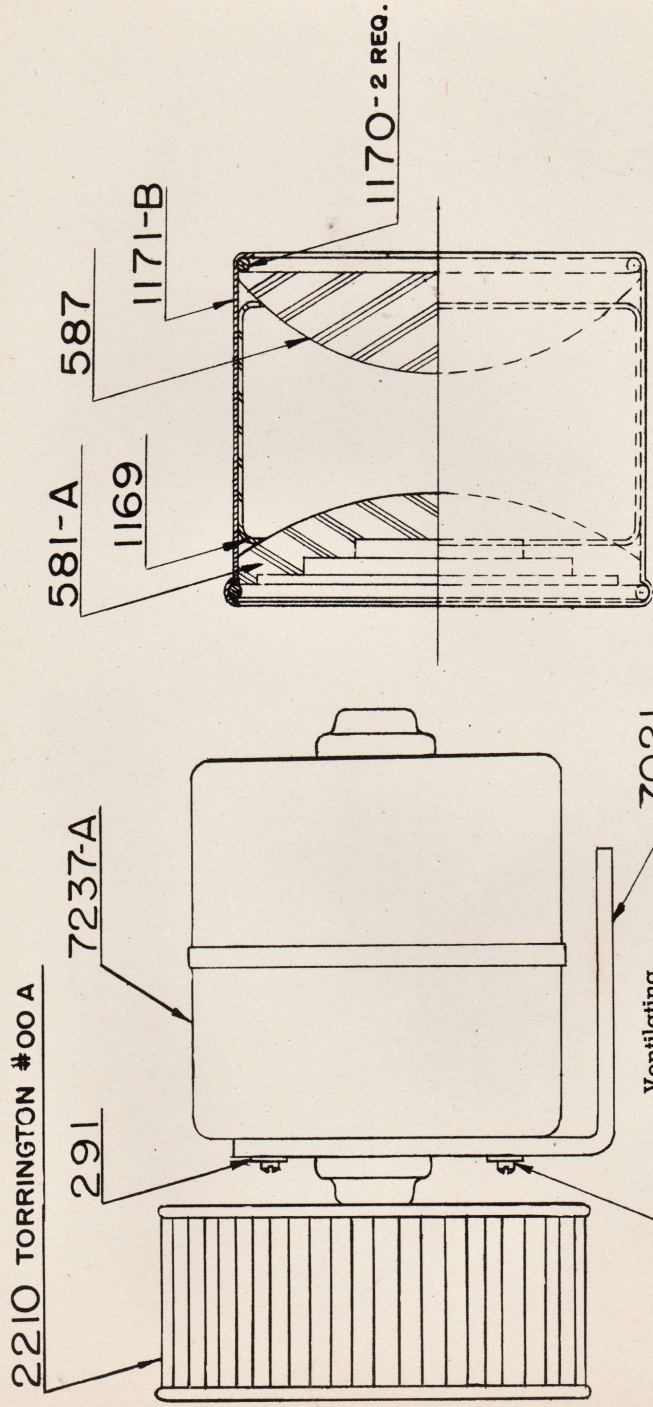
Condenser Reflector Assembly — Part No. 1001

3A



Condenser Assembly — Part No. 1001A
Ventilating Motor Assembly — Part No. 1005

4A



Condenser Assembly — Part No. 1001A
Sub Assembly — Part No. 1001

Ventilating Motor Assembly Part No. 1005

Part Number	Description	Number Required
291	Washer - No. 6 Monel Lock	3
806	Screw - 6/32"x5/16" Round Head	3
2210	Wheel - Blower (Fan)	1
2405	Lug - Solder	2
7021	Bracket - Motor	1
7237-A	Motor - Complete	1

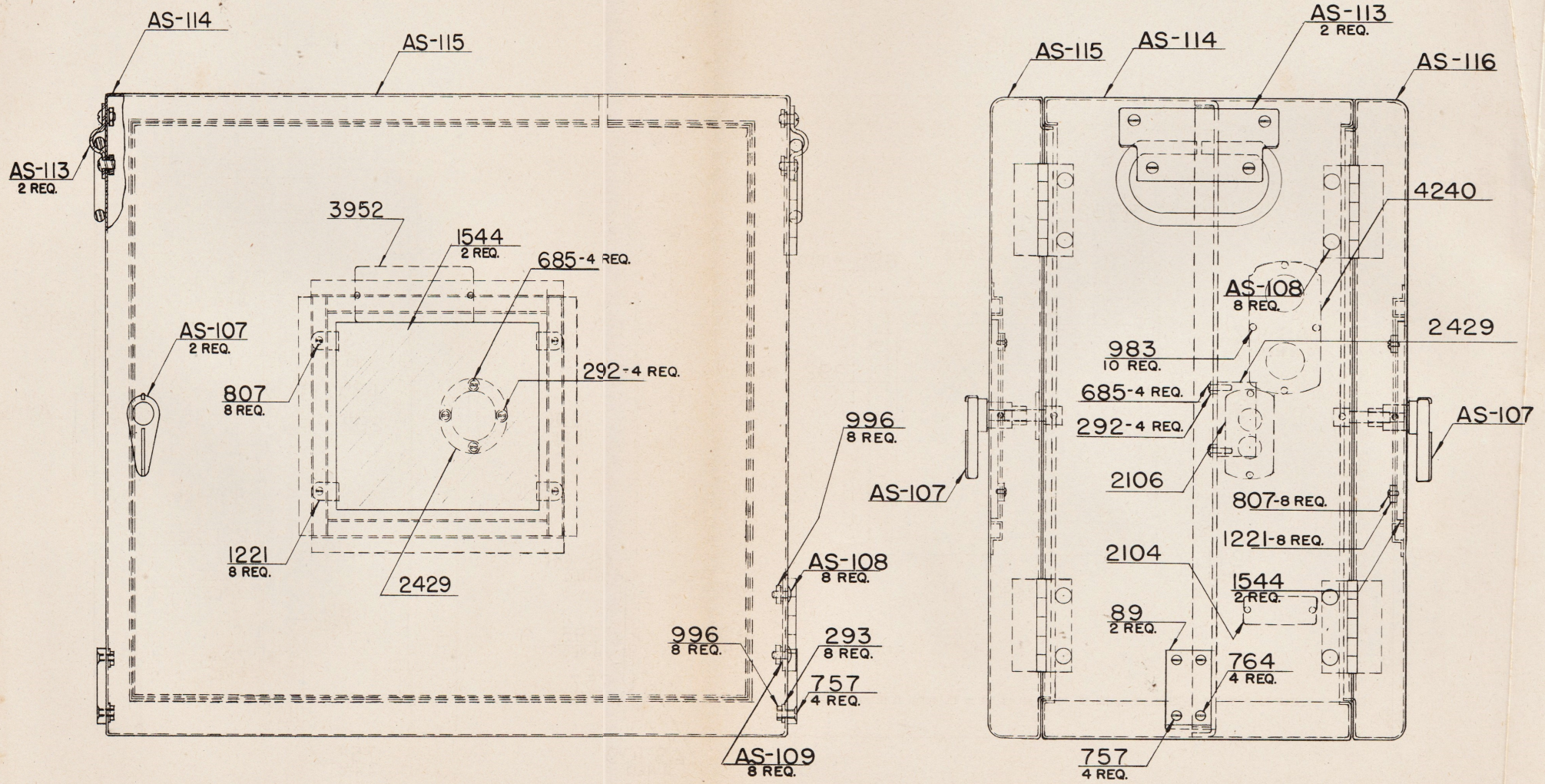
UPPER CASE ASSEMBLY - PART NO. 1430
Refer to Assembly Drawing on Page 6A

Part Number	Description	Number Required
295	Washer - 5/16" Monel Lock	2
807	Screw - 6/32"x3/16" Round Head	4
890	Bolt - Hexagon	2
982	Nut - 8/32" Hexagon	2
983	Pin - Escutcheon	2
996	Nut - 10/32" Hexagon	8
1221	Retainer - Door Glass Wire	4
1544	Glass - Wire Door	1
2103	Plate - Photo Cell Name	1
8507	Window - Red Glass	1
AS-100	Case - Upper	1
AS-101	Door - Rear	1
AS-102	Door - Front	1
AS-103	Door - Stationary	1
AS-104	Guard - Bottom Fire	1
AS-105	Screen - Fire Guard	2
AS-106	Washer - Fire Guard	2
AS-107	Handle Assembly (Door)	2
AS-108	Screw - Door Hinge	8
AS-109	Washer - Door Hinge	8
AS-110	Screw - Stationary Door	5
AS-111	Bumper - Rubber	8
AS-112	Guard - Top Fire	1

LOWER MAGAZINE ASSEMBLY - PART NO. 1440
Refer to Assembly Drawing on Page 8A

Part Number	Description	Number Required
89	Block - Tilting	2
292	Washer - No. 8 Monel Lock	4
293	Washer - No. 10 Monel Lock	8
685	Screw - 8/32"x1/2" Fillister Head	4
757	Screw - 10/32"x1/2" Flat Head	4
764	Screw - Case	4
807	Screw - 6/32"x3/16" Round Head	8
983	Pin - Escutcheon	10
996	Nut - 10/32" Hexagon	8
1221	Retainer - Wire	8
1544	Glass - Wire Door	2
2104	Plate - 110 Volt Name	1
2106	Plate - Exciter and Pilot Lamp Name	1
2429	Adaptor - Take-up Bearing	1
3952	Plate - Projector Name	1
4240	Plate - Projector Motor and Lamp Switch Name	1
AS-107	Handle Assembly (Door)	2
AS-108	Screw - Door Hinge	8
AS-109	Washer - Door Hinge	8
AS-113	Handle Assembly (Case)	2
AS-114	Case - Magazine	1
AS-115	Door - Front	1
AS-116	Door - Rear	1

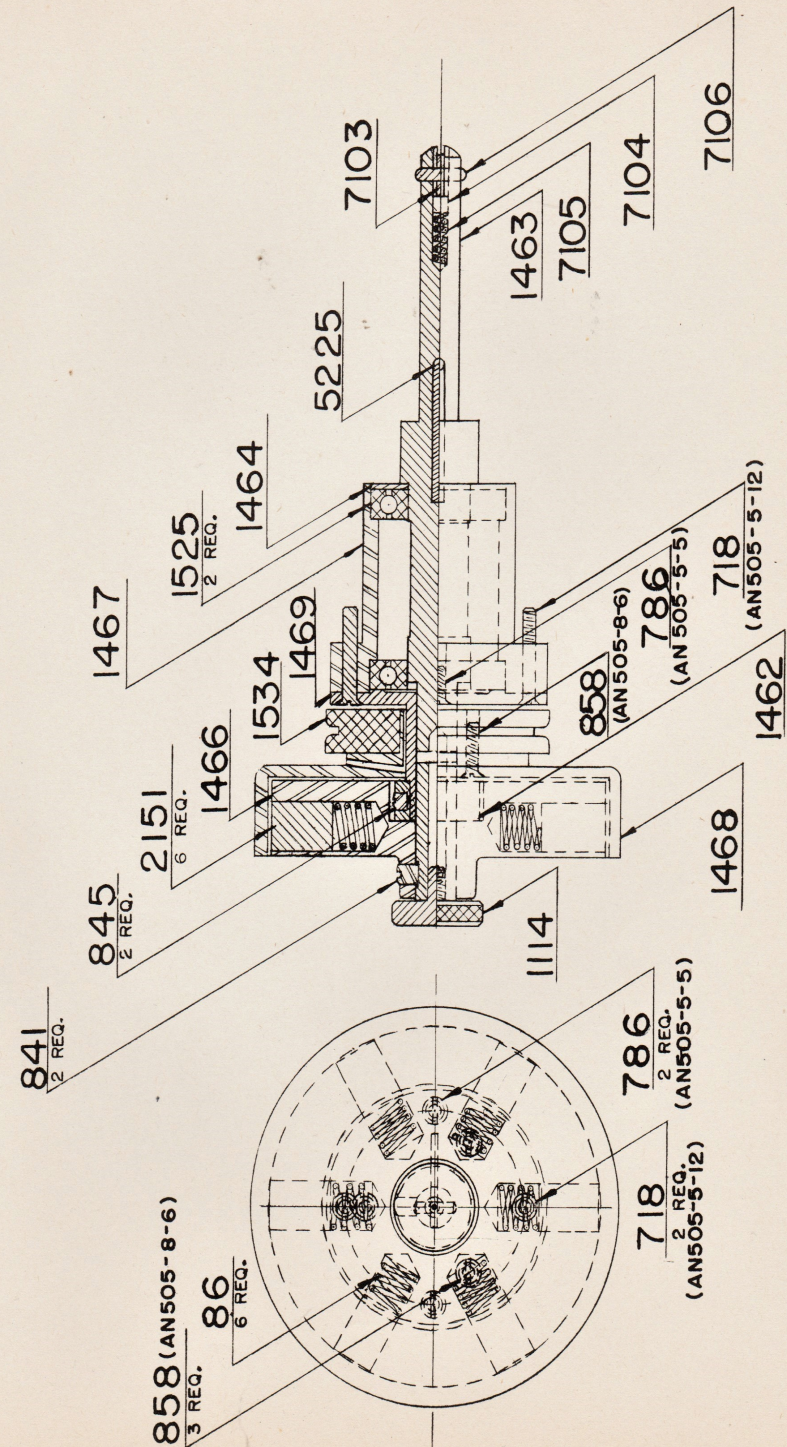
Lower Magazine Assembly — Part No. 1440



9A

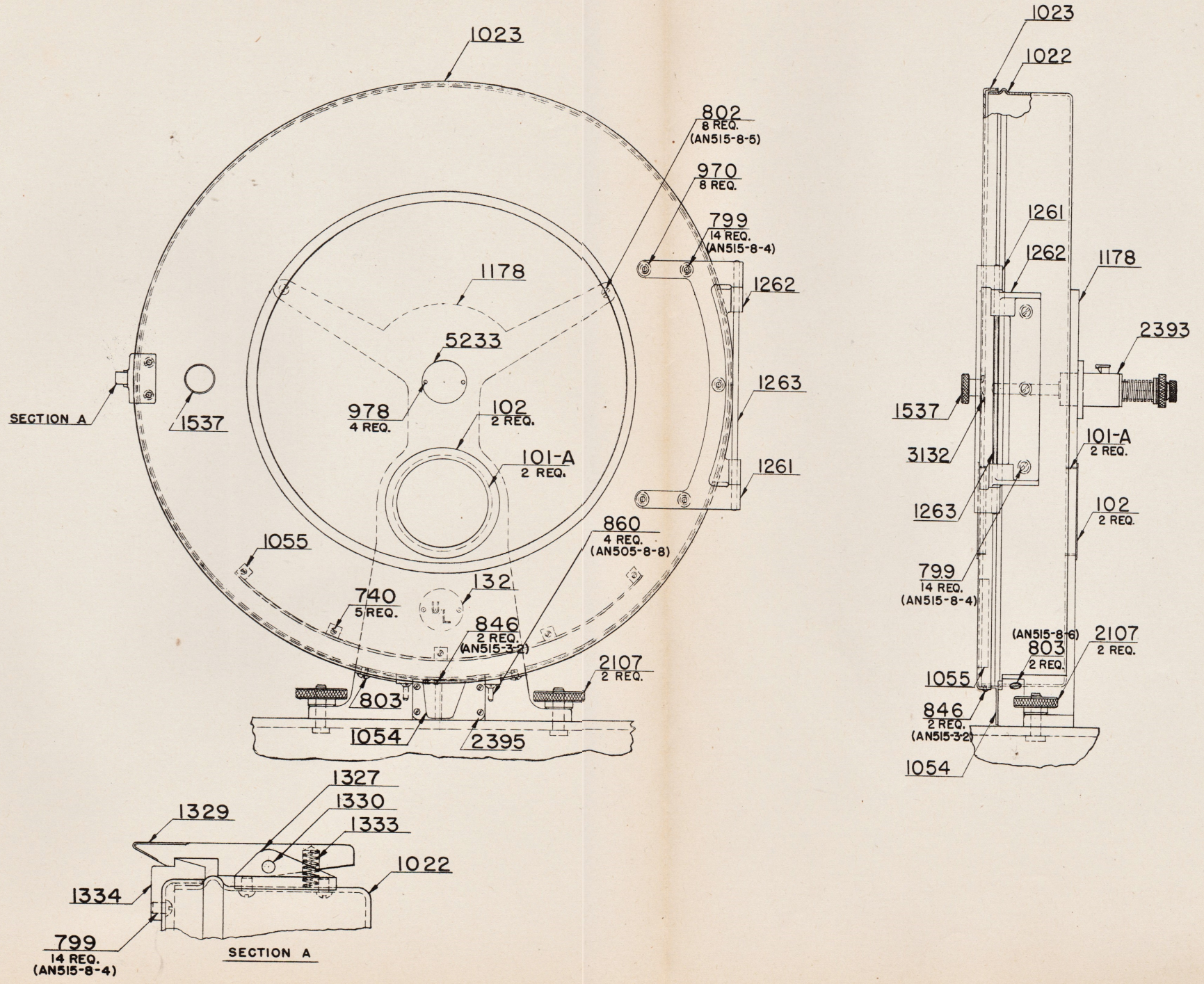
TAKE-UP ASSEMBLY - PART NO. 1450
Refer to Assembly Drawing on Page 10A

Part Number	Description	Number Required
86	Spring - Friction	6
718	Screw - 5/40"x3/4" Flat Head	2
786	Screw - 5/40"x5/16" Round Head	2
841	Screw - Set - 5/32"-40x3/16"	2
845	Screw - Set - 5/32"-40x1/8"	2
858	Screw - 8/32"x3/8" Flat Head	3
1114	Screw - Knurled (Labeled "Oil")	1
1462	Collar - Thimble	1
1463	Shaft - Reel	1
1464	Cover - Ball Bearing	2
1466	Wheel - Friction Plunger	1
1467	Housing - Bearing	1
1468	Cylinder - Friction Take-up	1
1469	Sleeve - Bearing	1
1525	Bearing - S-5-R Ball	2
1534	Sprocket - 30 Tooth Chain	1
2151	Tip - Rawhide Friction	6
5225	Key - Reel Shaft	1
7103	Clip - Reel	1
7104	Plunger - Reel Clip	1
7105	Spring - Reel Clip	1
7106	Pin - Pivot	1



Part Number	Description	Number Required
101-A	Glass - Upper Door	2
102	Frame - Door Glass	2
132	Plate - U. L. Name	1
740	Screw - 5/40"x1/8" Round Head	5
799	Screw - 8/32"x1/4" Round Head	14
802	Screw - 8/32"x5/16" Round Head	8
803	Screw - 8/32"x3/8" Round Head	2
846	Screw - 3/8"x6/32" Round Head	2
860	Screw - 8/32"x1/2" Flat Head	4
970	Washer - Flat Steel	10
978	Pin - Name Plate	4
1022	Case - Magazine	1
1023	Door - Magazine	1
1054	Guard - Fire Roller	1
1055	Guard - Case - Fire	1
1178	Casting - Magazine	1
1261	Hinge - Door	1
1262	Hinge - Case	1
1263	Pin - Door Hinge	1
1327	Catch - Door Latch	1
1329	Latch - Door	1
1330	Pin - Door Latch	1
1333	Spring - Door Latch	1
1334	Bracket - Door Latch	1
1537	Knob - Latch	1
2107	Nut - Knurled	2
3132	Washer - Steel (5/8"x5/16"x.015)	1
5233	Plate - DeVry Name	1

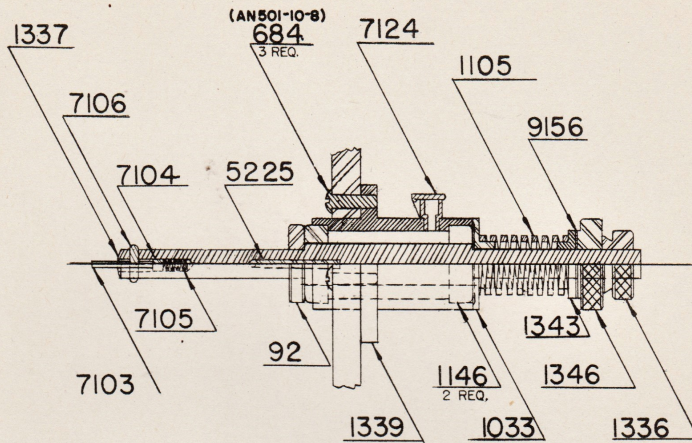
Note: See Pages 13A and 14A for Sub-Assemblies of 1470A.



Feed Shaft Assembly — Part No. 2393

13A

Sub-Assembly of 1470A Assembly

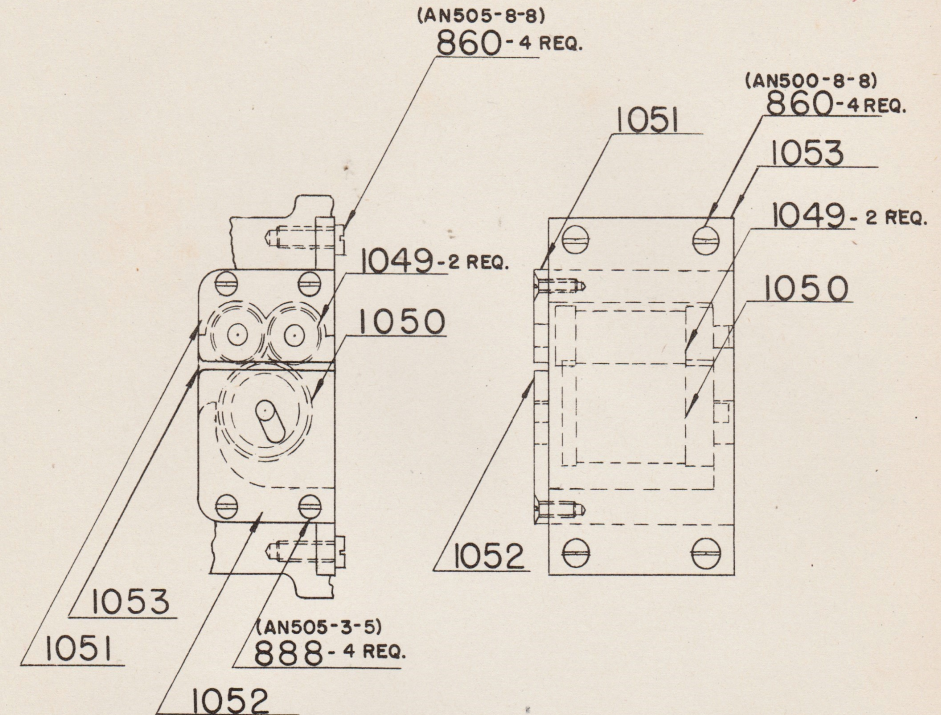


Part Number	Description	Number Required
92	Collar - Reel Shaft	1
684	Screw - 10/32"x1/2" Fillister Head	3
1033	Flange - Tension Spring (Large)	1
1105	Spring - Tension	1
1146	Bearing - Nice Ball	2
1336	Nut - Tension Lock (Small)	1
1337	Shaft - Feed	1
1339	Housing - Ball Bearing	1
1343	Flange - Tension Spring (Small)	1
1346	Nut - Tension Lock (Large)	1
5225	Key - Feed Shaft	1
7103	Clip - Reel	1
7104	Plunger - Reel Lock	1
7105	Spring - Plunger	1
7106	Pin - Pivot	1
7124	Cup - Oil	1
9156	Washer	1

Upper Fire Valve Assembly — Part No. 2395

14A

Sub-Assembly of 1470-A Assembly



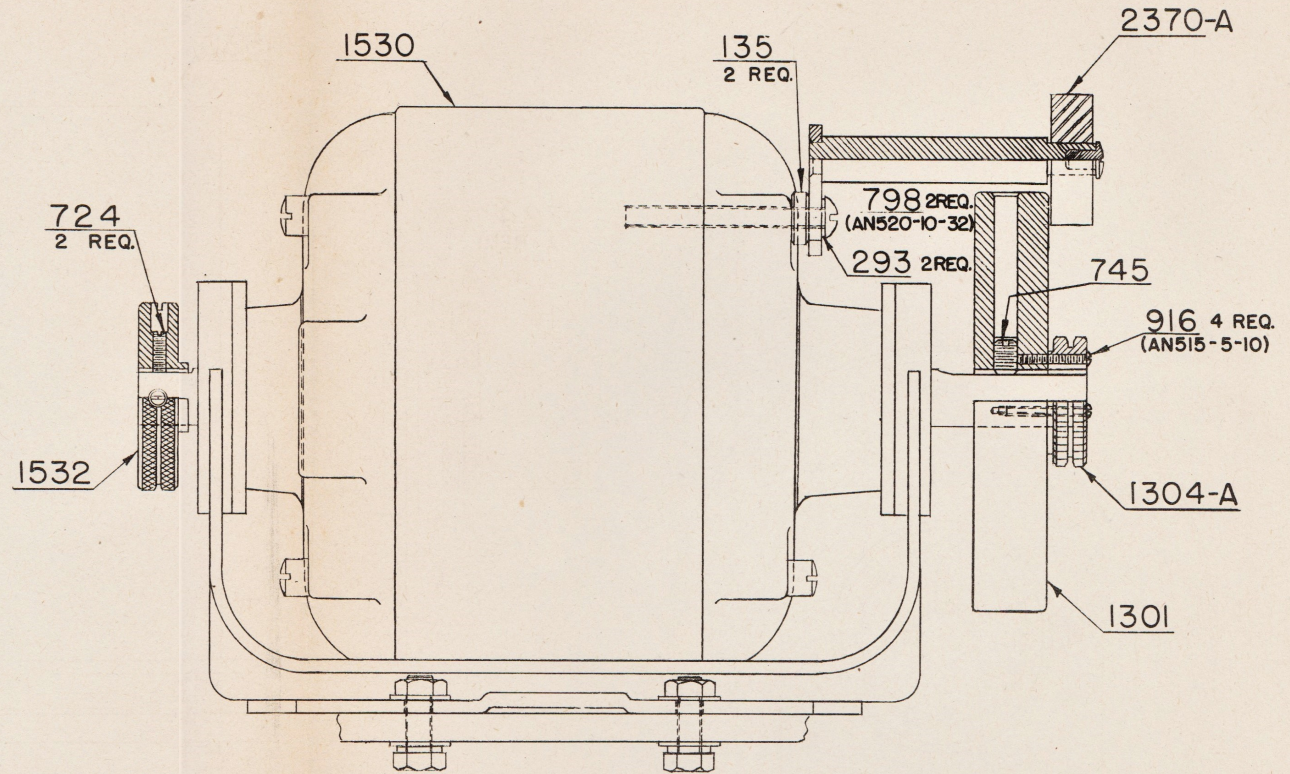
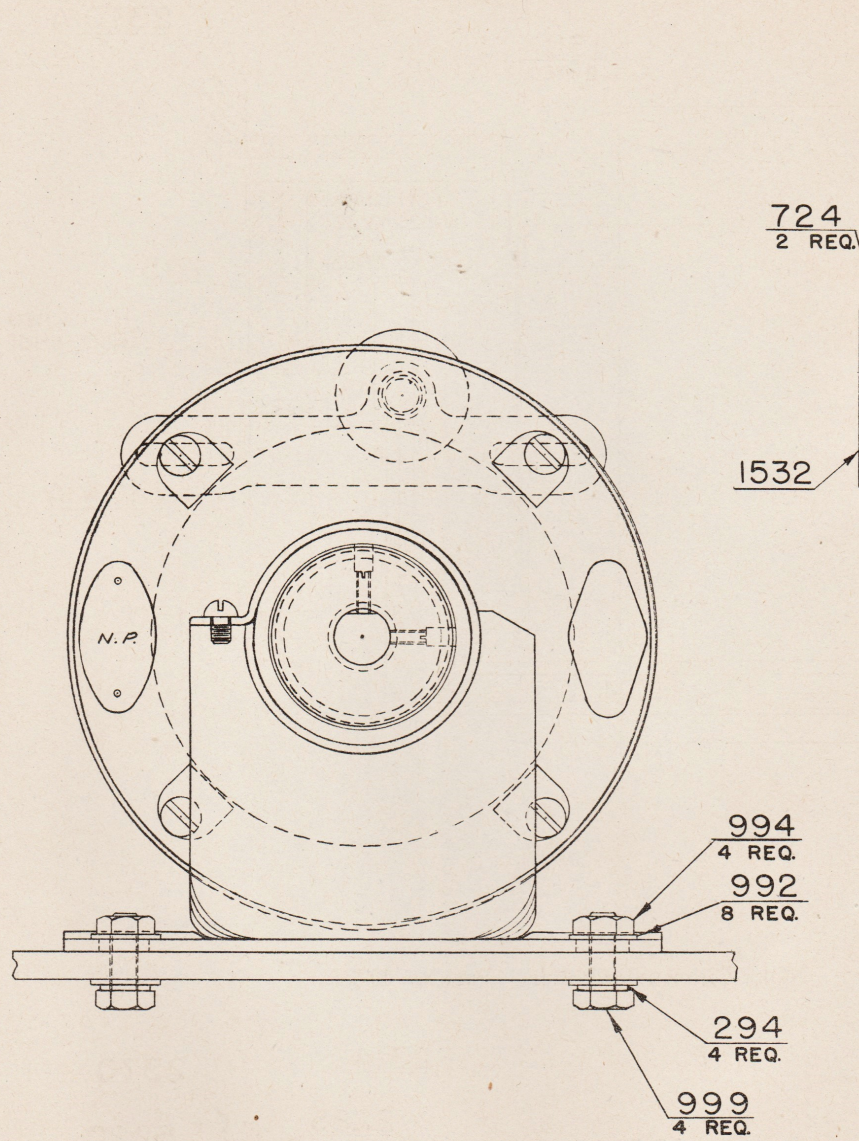
Part Number	Description	Number Required
860	Screw - 8/32"x1/2" Flat Head	4
888	Screw - 3/48"x5/16" Flat Head	4
1049	Roller - Magazine Fire (Small)	2
1050	Roller - Magazine Fire (Large)	1
1051	Plate - Small Roller	1
1052	Plate - Large Roller	1
1053	Casting - Magazine Fire Roller	1

DRIVE MOTOR ASSEMBLY - PART NO. 1530-A
Refer to Assembly Drawing on Page 16A

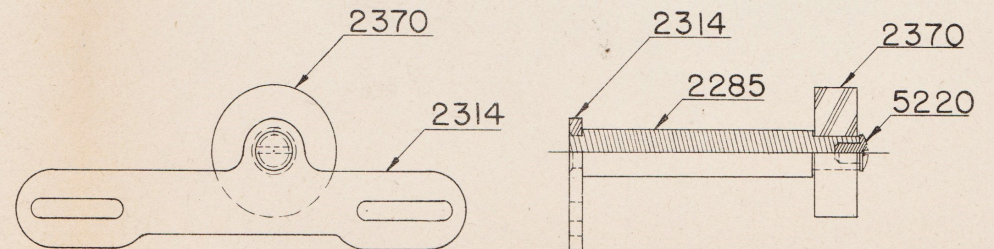
Part Number	Description	Number Required
135	Spacer - Chain Adj. Bracket	2
293	Washer - Lock (No. 10 Monel)	2
294	Washer - Lock (1/4" Monel)	4
724	Screw - Set - 8/32"x1/8"	2
745	Screw - Set - 1/4"-20x5/16"	1
798	Screw - 10/32"x2" Round Head	2
916	Screw - 10/32" Headless	4
992	Washer - Bushing Retainer	4
994	Nut - Hexagon (1/4"-20)	4
999	Bolt - Hexagon (1/4"-20)	4
1301	Flywheel - Motor	1
1304-A	Sprocket - Motor Chain	1
1521	Washer - Adjusting	8
1530	Motor - 3450 R.P.M. G.E.	1
1532	Knob - Motor	1
2405	Lugs - Solder	2

MOTOR CHAIN IDLER ROLLER ASSEMBLY - PART NO. 2370-A
Sub-Assembly of 1530-A Above. Refer to Drawing on Page 16A

2285	Shaft - Pulley	1
2314	Bracket - Adjustment	1
2370	Pulley - Adjustment	1
5220	Screw - Binder Head	1

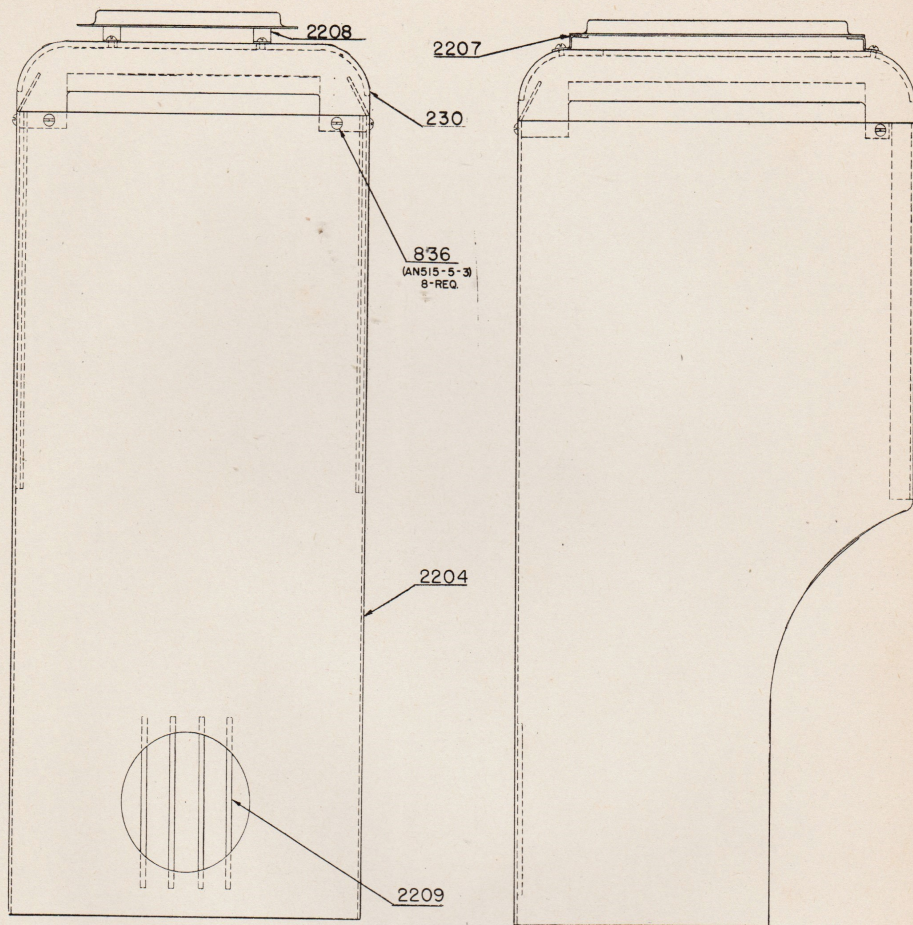


Motor Chain Idler Roller — Part No. 2370A



Lamphouse Assembly — Part No. 2211

17A



Part Number	Description	Number Required
836	Screw - 5/40"x3/16" Round Head	8
2204	*Cover - Lamphouse	1
2207	Baffle - Top Lamphouse	1
2208	*Lug - Baffle (Spot Welded to 2207)	4
2209	*Rod - Screen	4
2301	*Cover - Lamphouse	1

Items with Asterisk Not Sold Separately -
Purchase Entire Assembly.

FEED SPROCKET ASSEMBLY - PART NO. 2216

18A

Refer to Assembly Drawing on Page 19A

Part Number	Description	Number Required
215	Spacer - Idler Arm Stop	1
292	Washer - Lock (No. 8 Monel)	6
685	Screw - 8/32"x1/2" Fillister Head	3
836	Screw - 5/40"x3/16" Round Head	2
841	Screw - Set - 5/32"-40x3/16"	1
877	Screw - 8/32"x5/8" Fillister Head	3
923	Screw - 2/56"x5/8" Fillister Head	1
977	Pin - Taper (Large)	1
1236	Plate - Stripper	1
2212	Shaft - Feed Sprocket	1
2217	Sprocket - Film Feed	1
2218	Bearing - Feed Sprocket	1
2224	Feed Chain Sprocket Assembly (Sub-Assembly) Refer to Page 20A for Drawing and Analysis.	1
5153	Washer - Fibre	1

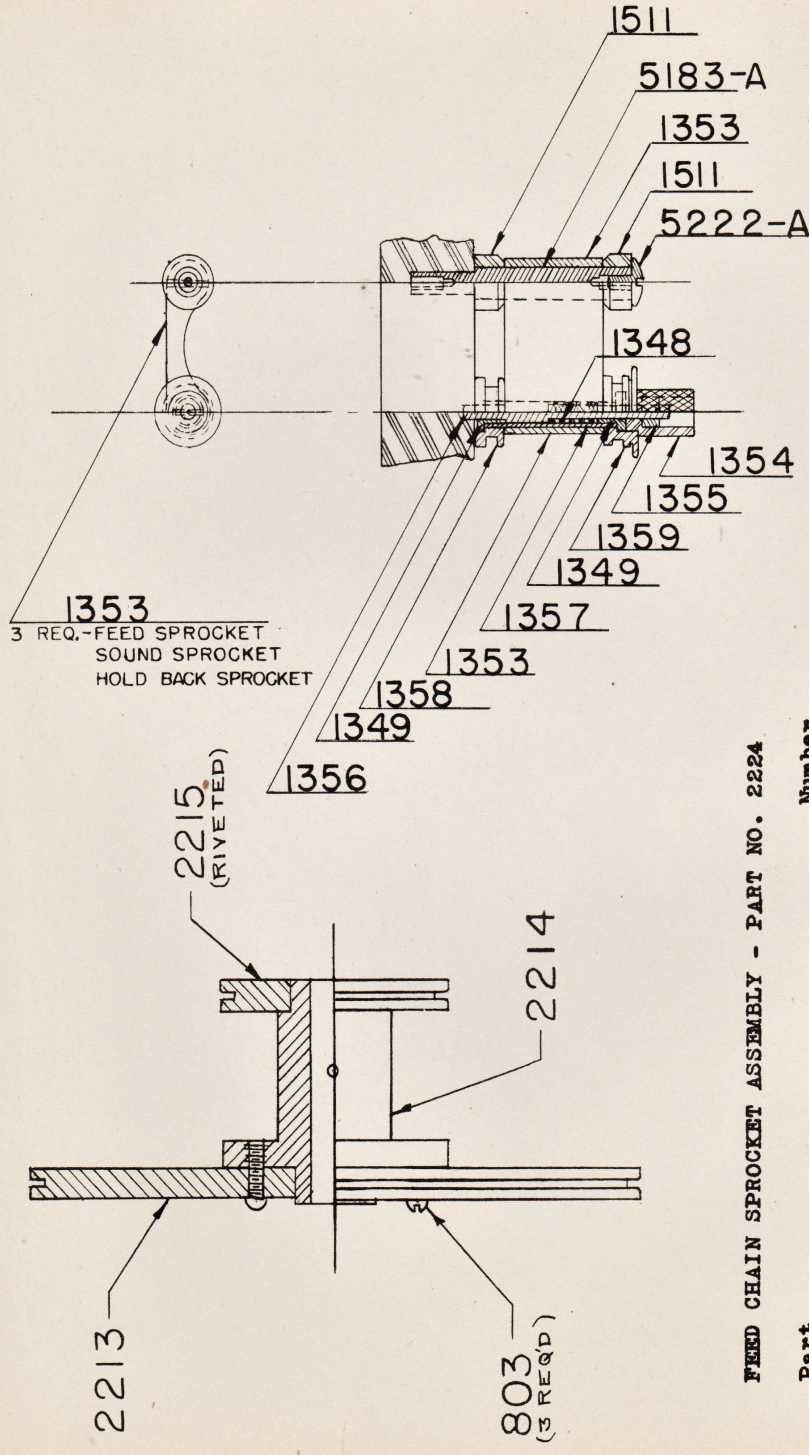
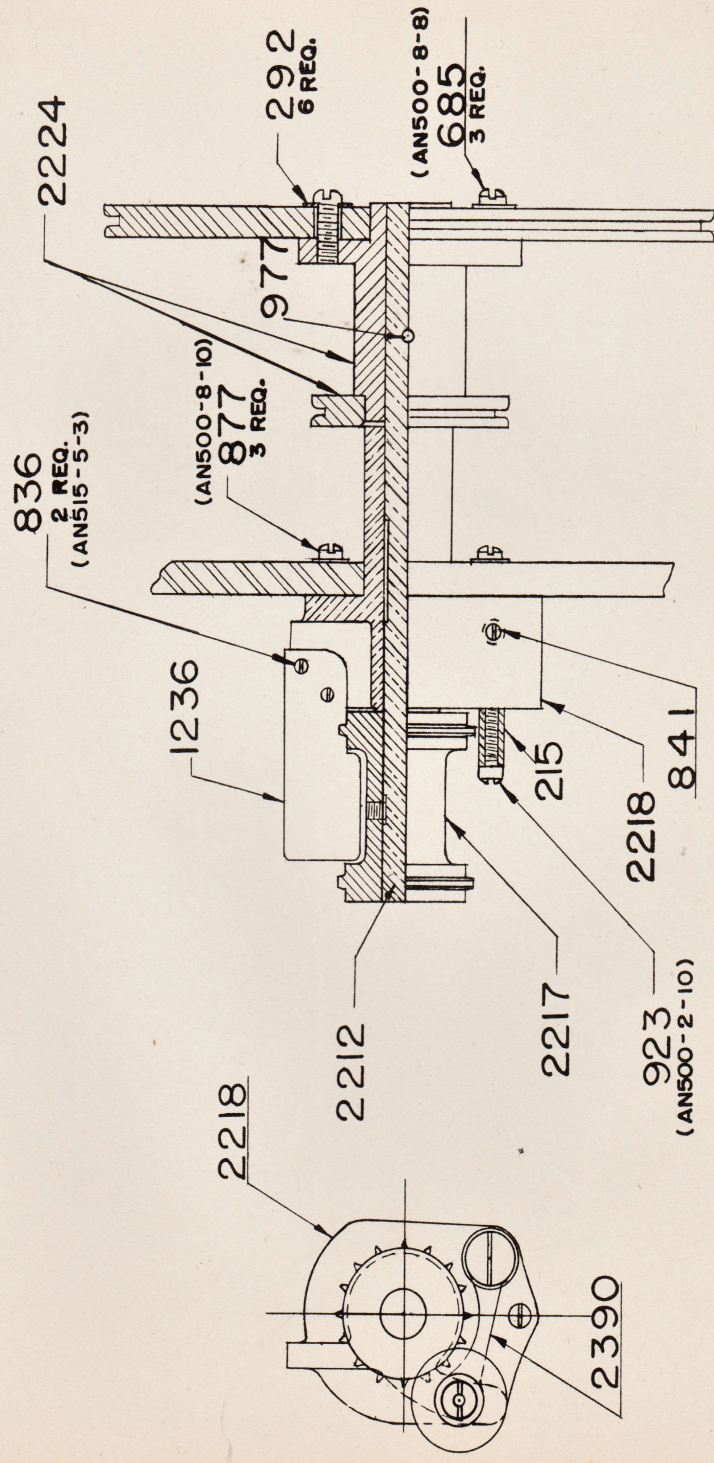
SPROCKET IDLER ASSEMBLY - PART NO. 2390

Sub-Assembly of 2216 Above. Also Sub-Assembly of 2220 and 2380.

Refer to Drawing on Page 20A

NOTE: When re-ordering, be sure to specify whether for Assembly 2216 (Feed Sprocket), 2220 (Sound Sprocket) or 2380 (Hold-back Sprocket).

1348	Spring - Idler Lock	1
1349	Screw - Retaining	2
1353	Bracket - Idler	1
1354	Knob - Idler	1
1355	Nut - Idler Lock	1
1356	Rod - Idler Lock	1
1357	Shaft - Idler Roller	1
1358	Roller - Idler (Bottom)	1
1359	Roller - Idler (Top)	1
1511	Roller - Fixed Idler	2
5183-A	Stud - Fixed Idler Arm	1
5222-A	Screw - Button Head	1



FEED CHAIN SPROCKET ASSEMBLY - PART NO. 2224

Part Number	Description	Number Required
2213	Sprocket - Feed Chain	1
2214	Sprocket - Feed Chain Hub	1
2215	Sprocket - Sound Drive Chain	1

SOUND SPROCKET ASSEMBLY - PART NO. 2220

Refer to Assembly Drawing on Page 22A

Part Number	Description	Required
215	Spacer - Idler Stop	1
292	Washer - No. 8 Monel Lock	3
836	Screw - 5/40"x3/16" Round Head	2
841	Screw - 5/32"-40x3/16" Set	1
877	Screw - 8/32"x5/8" Fillister Head	3
923	Screw - 2/56"x1/8" Fillister Head	1
977	Pin - Taper	1
1236	Plate - Stripper	1
2217	Sprocket - Film Feed	1
2218	Bearing - Sprocket	1
2219	Shaft - Sound Sprocket	1
5153	Washer - Friction Spring	1

SPROCKET IDLER ASSEMBLY - PART NO. 2390

Sub-Assembly of 2220 Above.

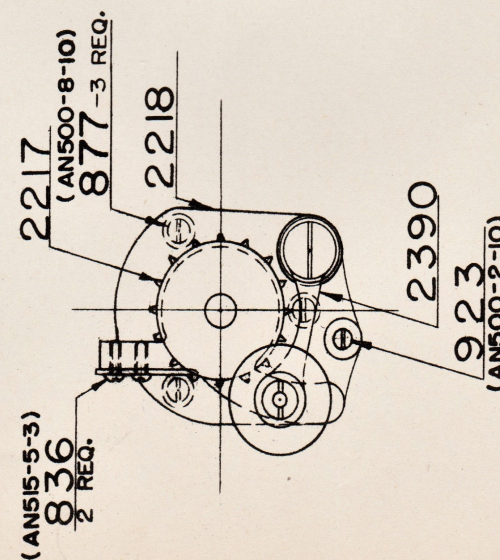
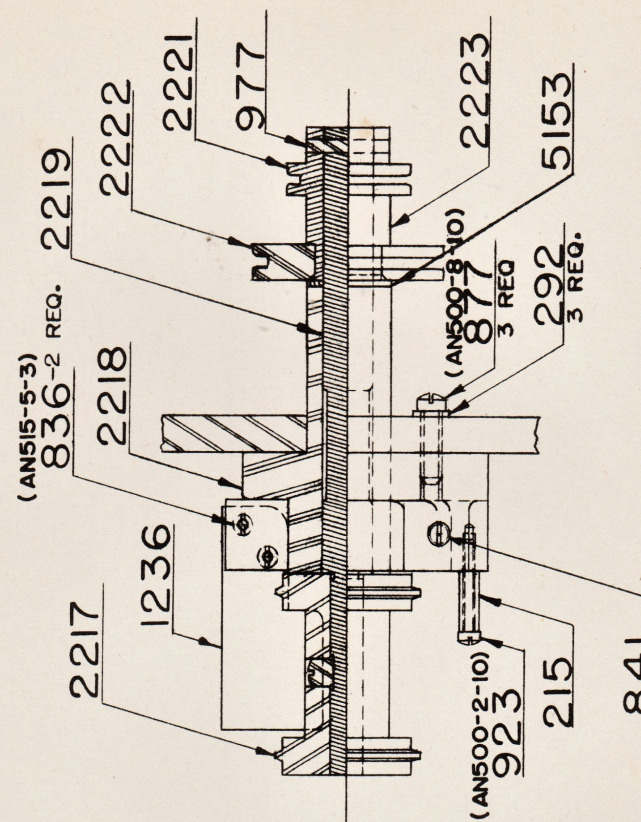
See Page 18A for Analysis, Page 20A for Drawing.

SOUND SPROCKET SUB-ASSEMBLY - PART NO. 2223

Refer to Assembly Drawing on Page 22A

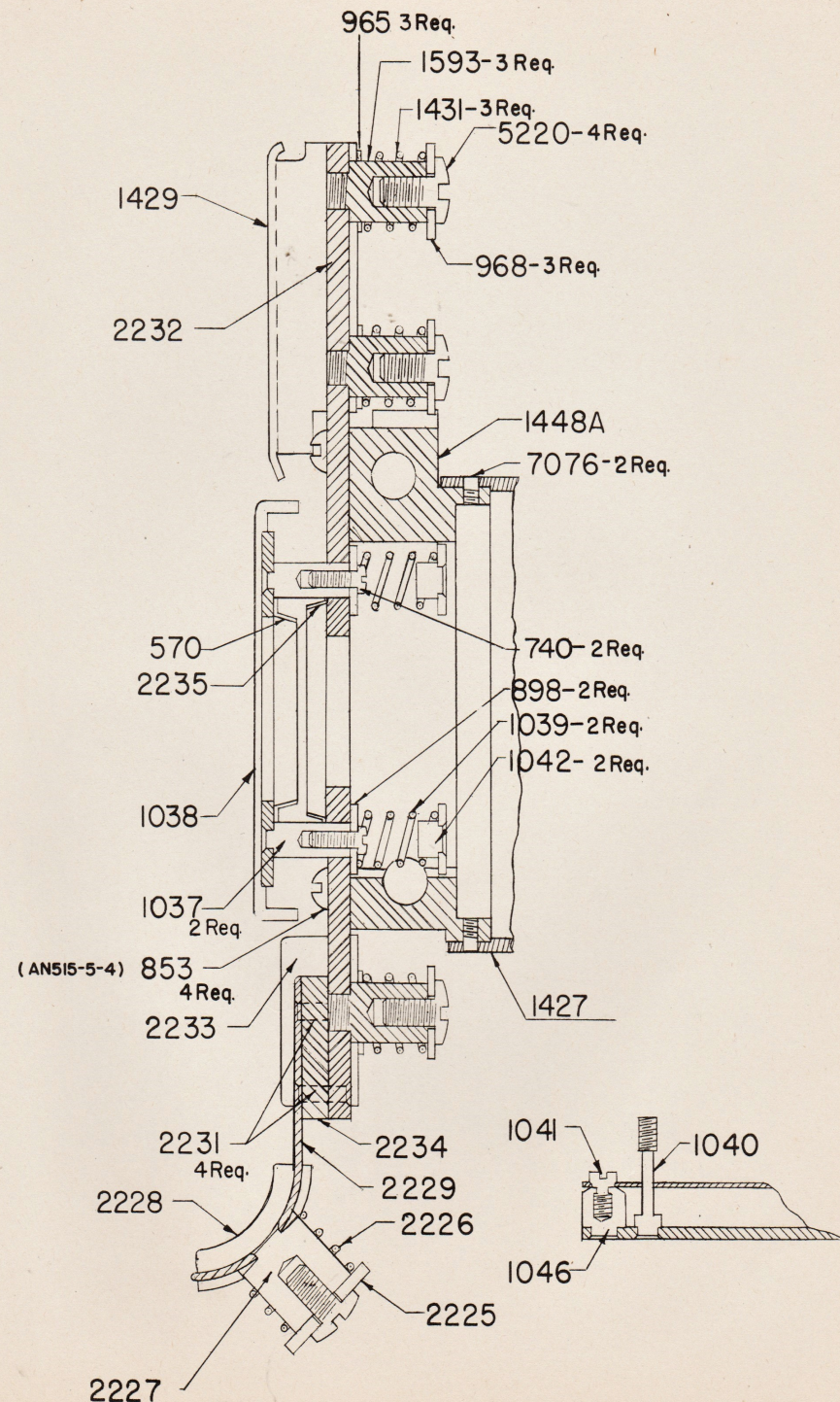
2221	*Sprocket - Take-up	1
2222	*Sprocket - Sound	1

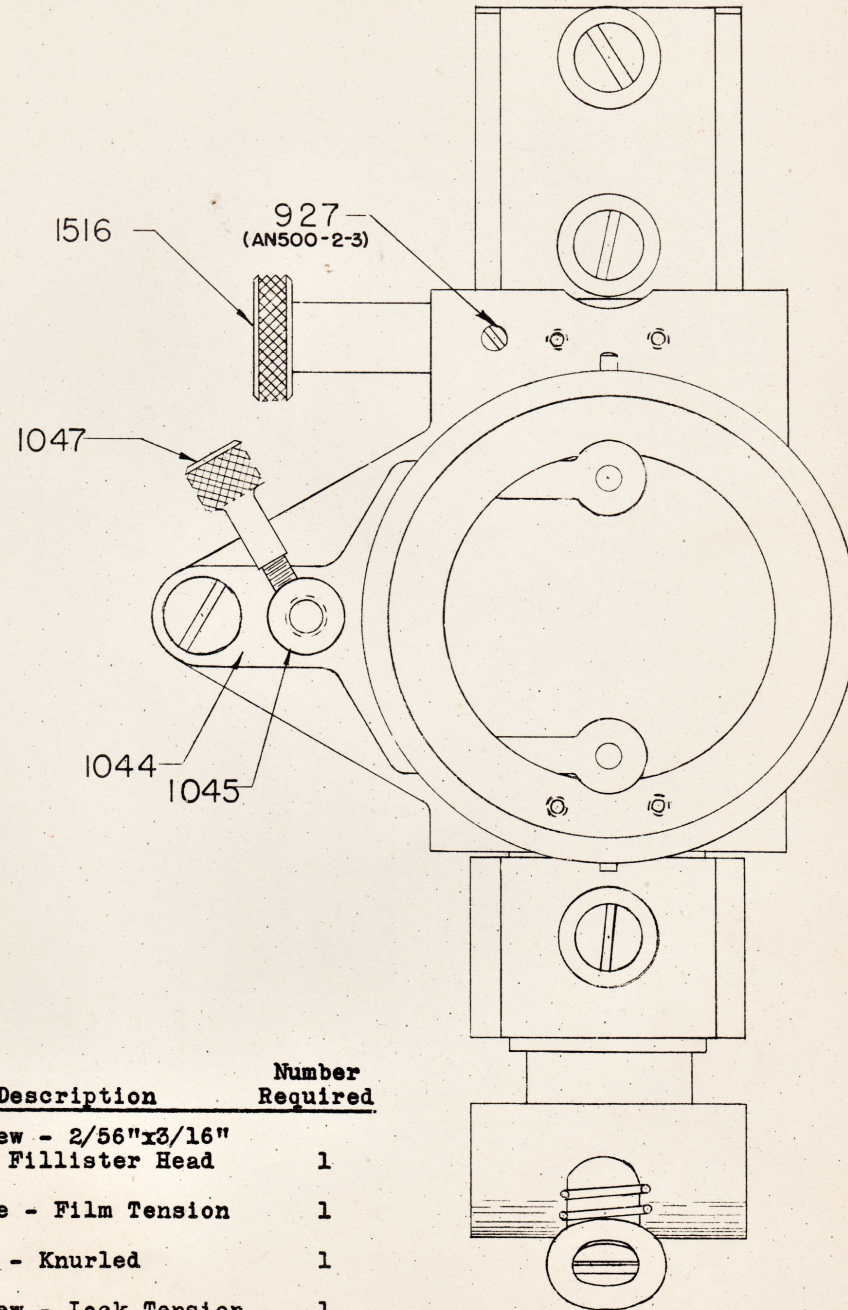
*Not Sold Separately. Purchase Entire Sub-Assembly 2223.



Part Number	Description	Number Required
570	*Flange - Film Gate (Small) Spot Welded to 1038	1
740	Screw - 5/40 Thd. 1/8 Long Round Head	2
853	Screw - 5/40"x1/4" Round Head	4
898	Washer - Retaining	2
965	Washer - Spring (Inner)	3
968	Washer - Spring (Outer)	3
1037	Stud - Film Shoe	2
1038	Shoe - Aperture Film	1
1039	Spring - Tension	2
1040	Screw - Adjustment	1
1041	Screw - Yoke Retaining	1
1042	Stud - Tension Yoke	2
1046	Stud - Yoke Pivot	1
1427	Tube - Knurled	1
1429	Shoe - Upper Film	1
1431	Spring - Pressure	3
1448-A	Bracket - Film Gate	1
1593	Stud - Film Shoe (Upper)	3
2225	Washer - Sprocket Shoe	1
2226	Spring - Sprocket Shoe	1
2227	Stud - Sprocket Shoe	1
2228	Shoe - Intermittent Sprocket	1
2229	Bracket - Sprocket Shoe	1
2231	Rivet - Sprocket Shoe	4
2232	Plate - Film Shoe Mounting	1
2233	Shoe - Lower Film	1
2234	Spacer - Bracket	1
2235	Flange - Film Gate (Large)	1
5220	Screw - Binder Head	4
7076	Pin - Bayonet (Socket Base)	2

See Page 25A for Additional Analysis and Drawing.



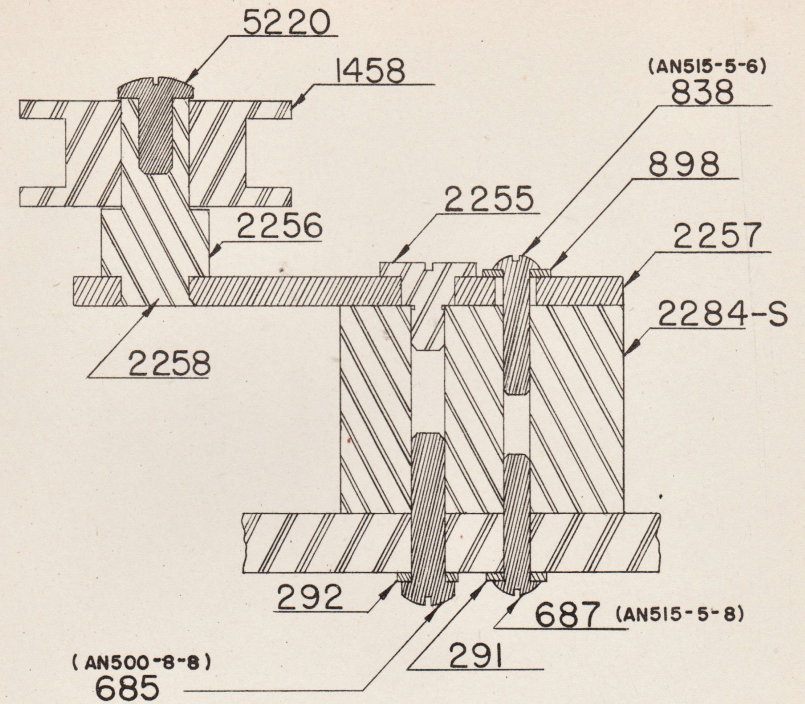


Part Number	Description	Number Required
927	Screw - 2/56"x3/16" Fillister Head	1
1044	Yoke - Film Tension	1
1045	Nut - Knurled	1
1047	Screw - Lock Tension	1
1516	Screw - Lock	1

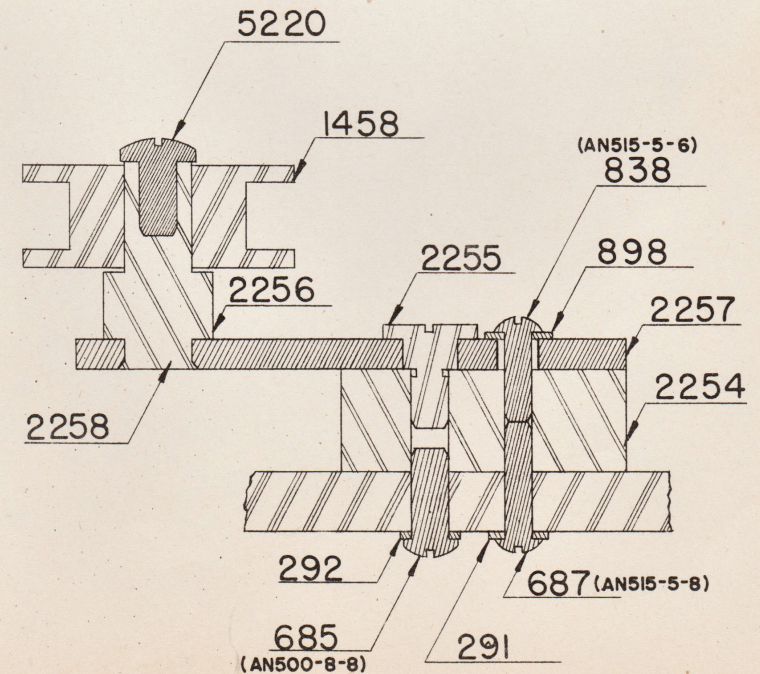
Part Number	Description	Number Required
291	Washer - Lock (No. 6 Monel)	1
292	Washer - Lock (No. 8 Monel)	1
685	Screw - 8/32"x1/2" Fillister Head	1
687	Screw - 5/40"x1/2" Round Head	1
838	Screw - 5/40"x3/8" Round Head	1
898	Washer - Retaining	1
1458	Roller - Chain Idler	1
2255	Screw - Shoulder	1
2284-S	Block - Idler Spacer	1
2258	Lever Assembly (Sub-Assembly of 2259) Includes Part Numbers 2256 (Stud) and 2257 (Lever).	1
5220	Screw - Binder Head	1

SOUND SPROCKET CHAIN IDLER ASSEMBLY - PART NO. 2259-A
 Refer to Assembly Drawing on Page 27A

291	Washer - Lock (No. 6 Monel)	1
292	Washer - Lock (No. 8 Monel)	1
685	Screw - 8/32"x1/2" Fillister Head	1
687	Screw - 5/40"x1/2" Round Head	1
838	Screw - 5/40"x3/8" Round Head	1
898	washer - Steel Retaining	1
1458	Roller - Chain Idler	1
2254	Block - Spacer	1
2255	Screw - Shoulder	1
2258	Lever Assembly (Sub-Assembly of 2259-A) Includes Part Numbers 2256 (Stud) and 2257 (Lever).	1
5220	Screw - Binder Head	1



Sound Sprocket Chain Idler Assembly — Part No. 2259A



INTERMITTENT MOVEMENT ASSEMBLY - PART NO. 2263

Refer to Assembly Drawing on Page 30A

Part Number	Description	Number Required
292	Washer - No. 8 Monel Lock	3
366	Pin - Dowel	2
803	Screw - 8/32"x3/8" Round Head	3
831	Screw - 10/32"x7/16" Fillister Head	4
976	Pin - Taper	1
977	Pin - Taper	2
1456	Screw - 1/4"-20x3/4" Fillister Head	2
2142	Spring - Plunger	1
2143	Plunger - Friction	2
2152	Ring - Intermittent	1
2260	Sprocket - Intermittent Chain (Part of 2280)	1
2261	Bracket - Intermittent Framer	1
2262	Slide - Chain Idler	2
2265	Bar - Framer Slide	2
2266	Pinion - Framer	1
2268	Stud - Framer Gear (Upper)	1
2269	Washer - Framer Chain Idler (To be used with Ball Bearing 2282)	4
2270	Stud - Framer Chain Idler (Center)	1
2271	Stud - Framer Chain Idler	2
2272	Screw - Framer	1
2273	Flange - Framer Housing	1
2274	Head - Framer Gear	1
2275	Gear - Framer	1
2276	Collar - Framer Shaft	1

Continuation of Parts Analysis

INTERMITTENT MOVEMENT ASSEMBLY - PART NO. 2263

Part Number	Description	Number Required
2277	Shaft - Framer	1
2278	Gear - Framer Shaft	1
2279	Gear - Segmental Framer	1
2282	Bearing - Norma Hoffman 7mm. (Complete Roller with Oilite Bearings)	1
2356	Knob - Framer	1
4199	Washer - 3/8" Steel	2
5220	Screw - Binder Head - 8/32"x1/4"	1
5222-A	Screw - Button Head - No.5-40	3
8737	Washer - Tension	1

INTERMITTENT UNIT - COMPLETE - PART NO. 2280

Sub-Assembly of 2263 Above. Refer to Drawing on Page 33A

K-130-BB	Key - Flywheel Lock	1
S-728-BB	Screw - Case Clamp	2

CASE ASSEMBLY - PART NO. BB-21

Sub-Assembly of 2280 Above. Refer to Drawing on Page 34A

B-246-BB	Bearing - Flywheel Shaft	1
B-247-BB	Bearing - Cam Shaft	1
C-293-BB	Cup - Oil	1
C-374-BB	*Case - Intermittent	1
D-130-BB	Deflector - Oil	1
G-188-BB	Gasket - Oil	1
P-121-C	Pivot - Adjustment	3
S-724-BB	Screw - 4-40x1/4" Fillister Head	9

Continued on Page 31A

INTERMITTENT UNIT - COMPLETE - PART NO. 2280

FLYWHEEL SHAFT AND GEAR ASSEMBLY - PART NO. BB-27
Sub-Assembly of 2280. Refer to Drawing on Page 34A

Part Number	Description	Number Required
G-187-BB	Gear - Flywheel Shaft	1
S-726-BB	Shaft - Flywheel	1

FLYWHEEL AND SPROCKET ASSEMBLY - PART NO. BB-28
Sub-Assembly of 2280. Refer to Drawing on Page 34A

W-191-BB	Flywheel	1
W-232-BB	Washer - Oil Retaining	1

FLYWHEEL LOCK NUT ASSEMBLY - PART NO. BB-30
Sub-Assembly of 2280. Refer to Drawing on Page 34A

N-171-BB	*Nut - Lock	1
S-725-BB	Screw - Lock Nut	1

INTERMITTENT CAM ASSEMBLY - PART NO. BB-38
Sub-Assembly of 2280. Refer to Drawing on Page 34A

B-229-BB	*Bushing - Cam Pin	1
C-301-BB	*Cam - Intermittent	1
G-186-BB	Gear - Cam	1
N-205-BB	Nut - Cam Lock	1
P-360-BB	Pin - Cam	1
S-727-BB	Screw - Lock Nut Set	1

OIL TIGHT COVER ASSEMBLY - PART NO. BB-40
Sub-Assembly of 2280. Refer to Drawing on Page 35A

A-192-BB	Cover - Case (With Bearing Arm)	1
B-248-BB	Bearing - Star Wheel (Inner)	1

Continued on Page 32A

INTERMITTENT UNIT - COMPLETE - PART NO. 2280

Part Number	Description	Number Required
B-249-BB	Bearing - Star Wheel (Outer)	1
C-294-BB	Clamp - Retaining	2
G-225-BB	Gasket - Case Cover	2
G-226-BB	Glass - Oil Tight	2
N-204-BB	Nut - Oil Tight	2
P-121-C	Pivot - Adjustment	2
S-724-BB	Screw - 4-40x1/4" Fillister Head	6
S-432-E	Screw - 3-48x3/16" Fillister Head	2
S-731-BB	Stripper - Film	1

SHAFT AND SPROCKET ASSEMBLY - PART NO. BB-26
Sub-Assembly of BB-40. Refer to Drawing on Page 35A

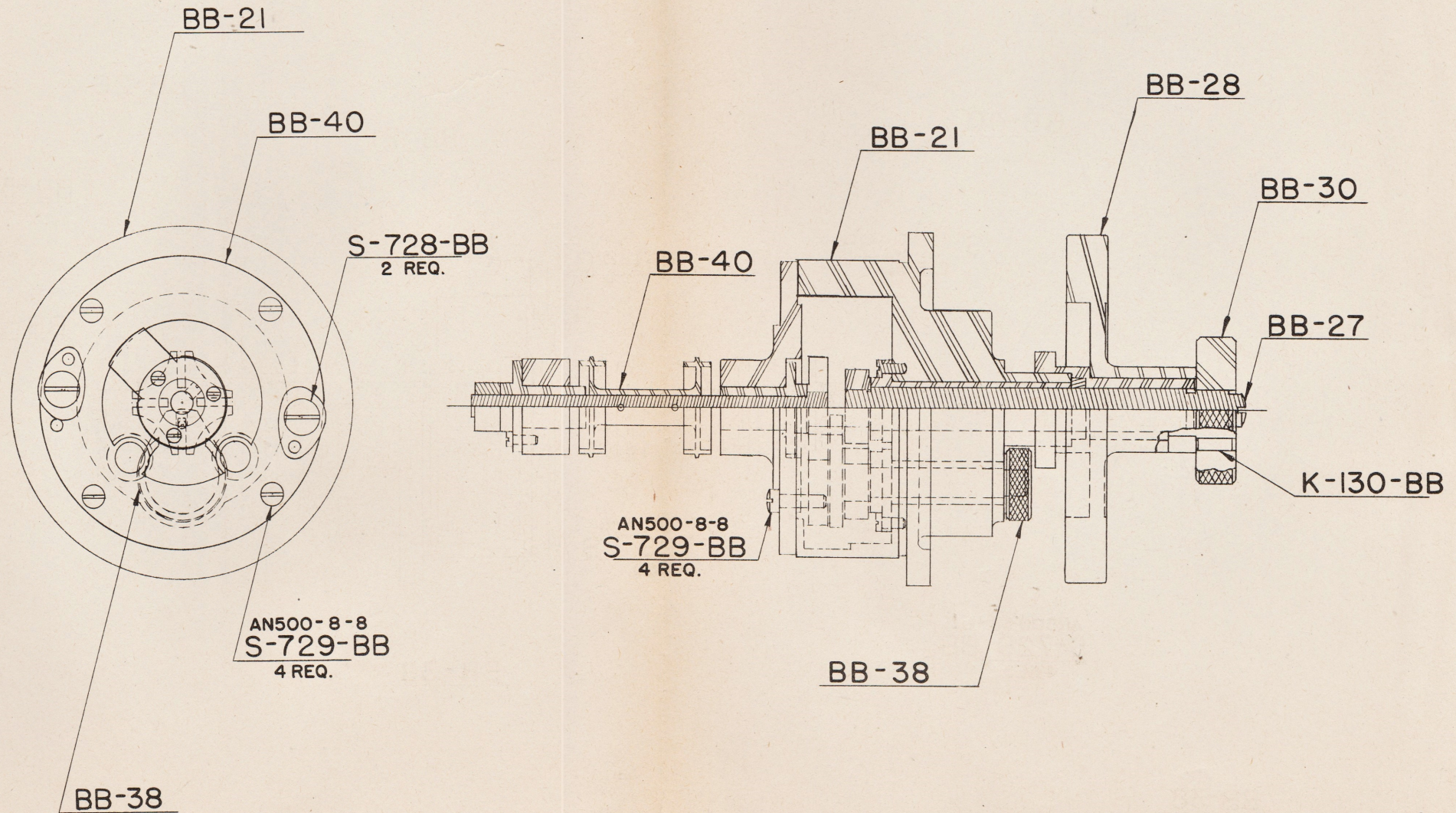
C-295-BB	Collar - Star Wheel Shaft	1
P-350-BB	Pin - Intermittent Sprocket	2
S-177-E	Screw - Collar Set	4
S-730-BB	Wheel - Star (With Shaft)	1
S-750-BB	Sprocket - Intermittent Film	1

OIL CUP BEARING ASSEMBLY - PART NO. BB-31
Sub-Assembly of BB-40. Refer to Drawing on Page 35A

B-250-BB	*Bearing - Oil Cup Ball	1
C-296-BB	*Cup - Oil	1
S-734-BB	*Spring - Oil Cup	1

Intermittent Unit Complete — Part No. 2280

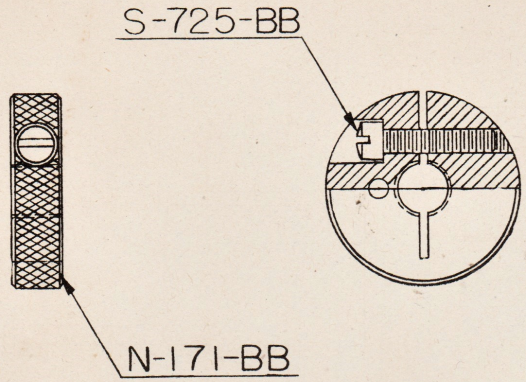
Sub Assembly of Intermittent Movement Assembly — Part No. 2263



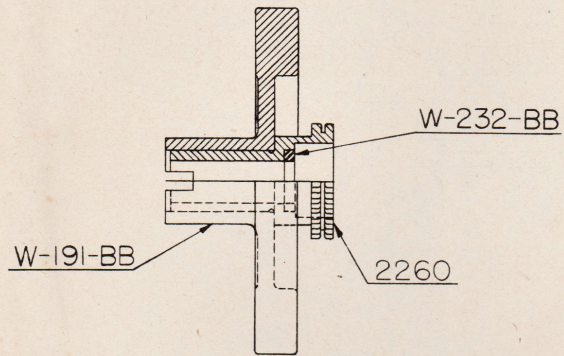
See Pages 34A and 35A For Sub Assembly Drawings of Intermittent Unit

Sub Assemblies of Part No. 230 — Intermittent Unit

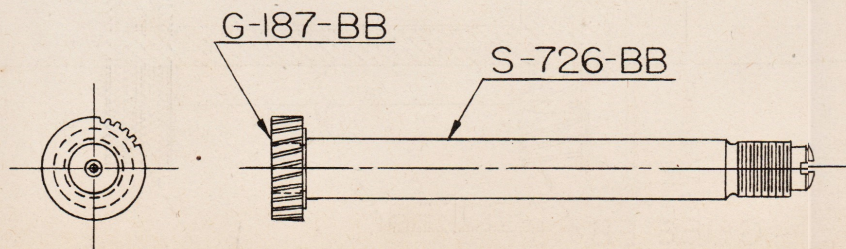
Flywheel Lock Nut Assembly — Part No. BB-30



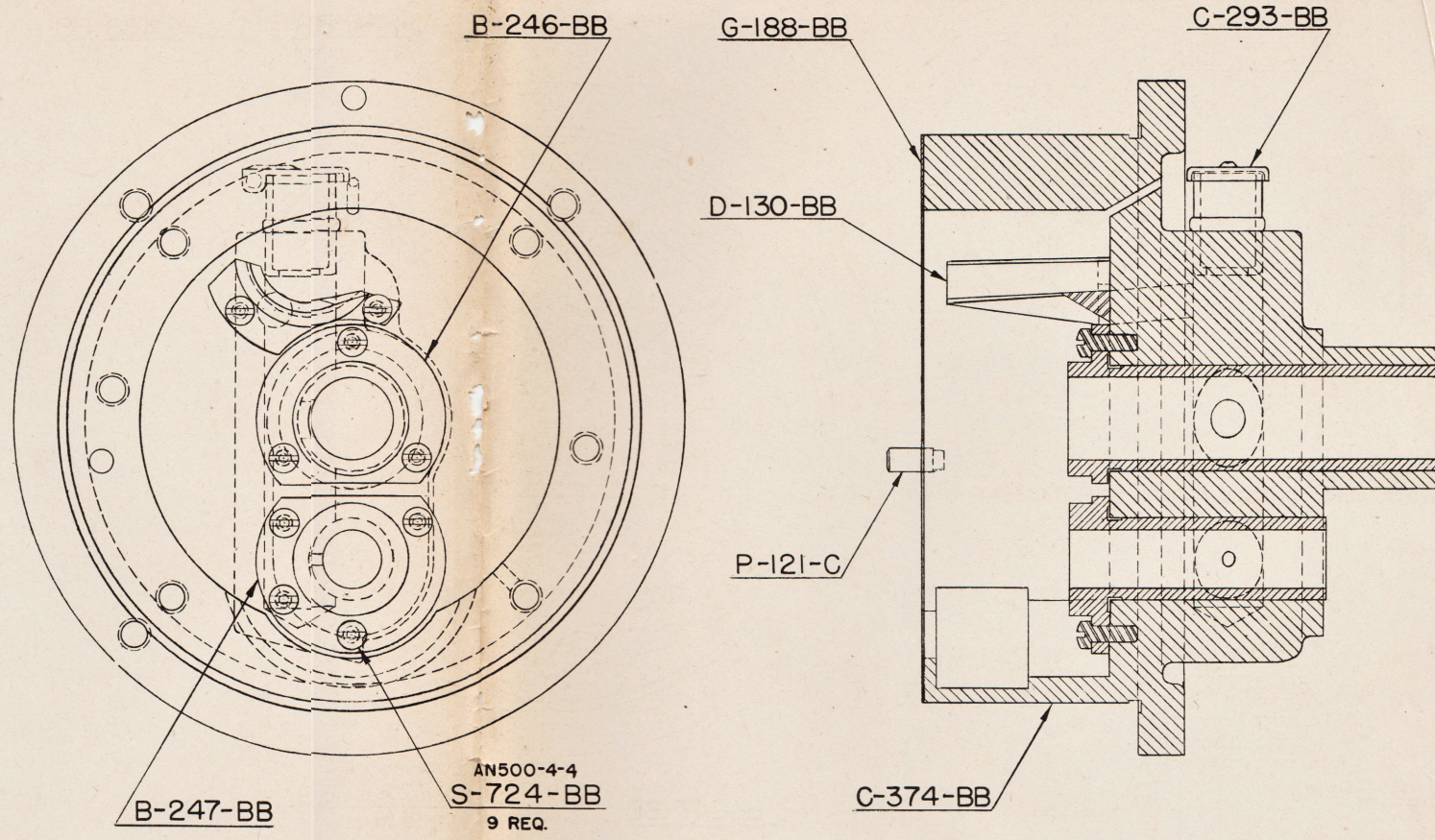
Flywheel and Sprocket Assembly — Part No. BB-28



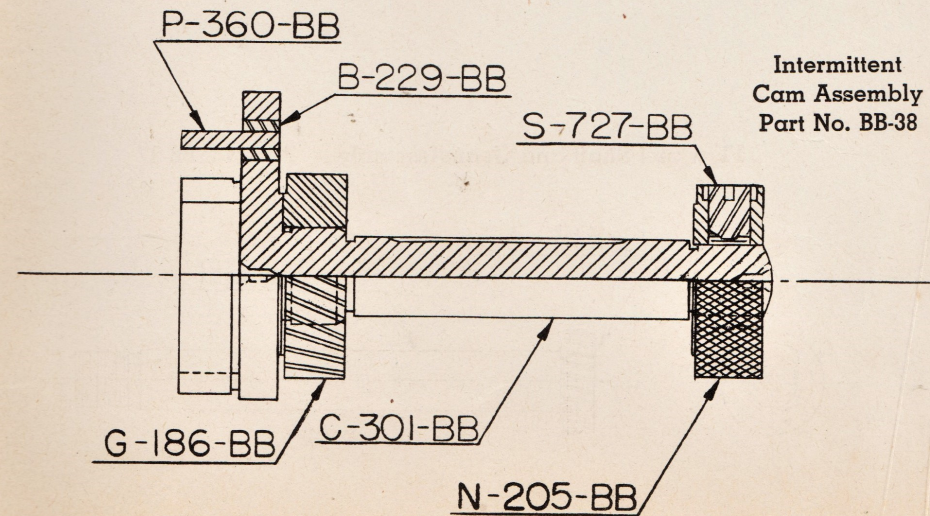
Flywheel Shaft and Gear Assembly — Part No. BB-27



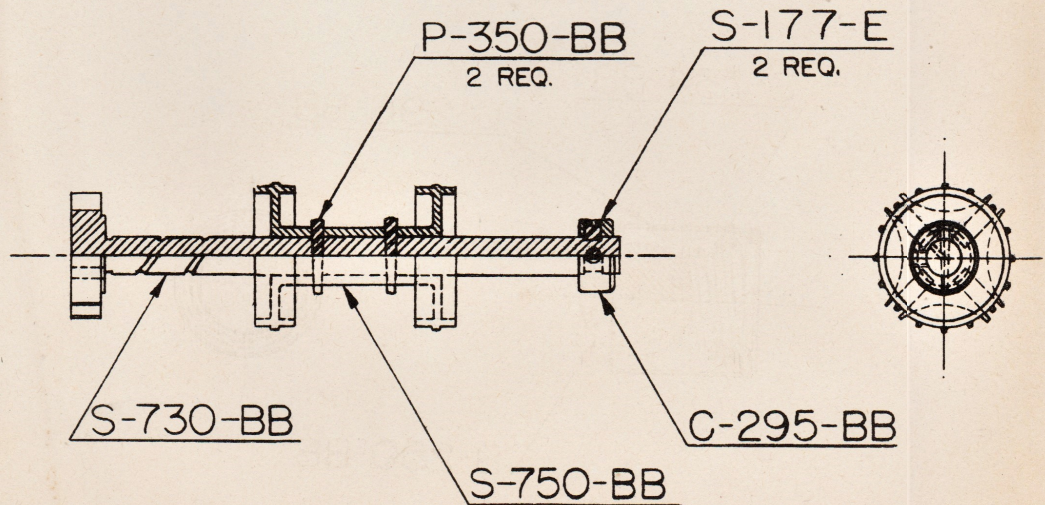
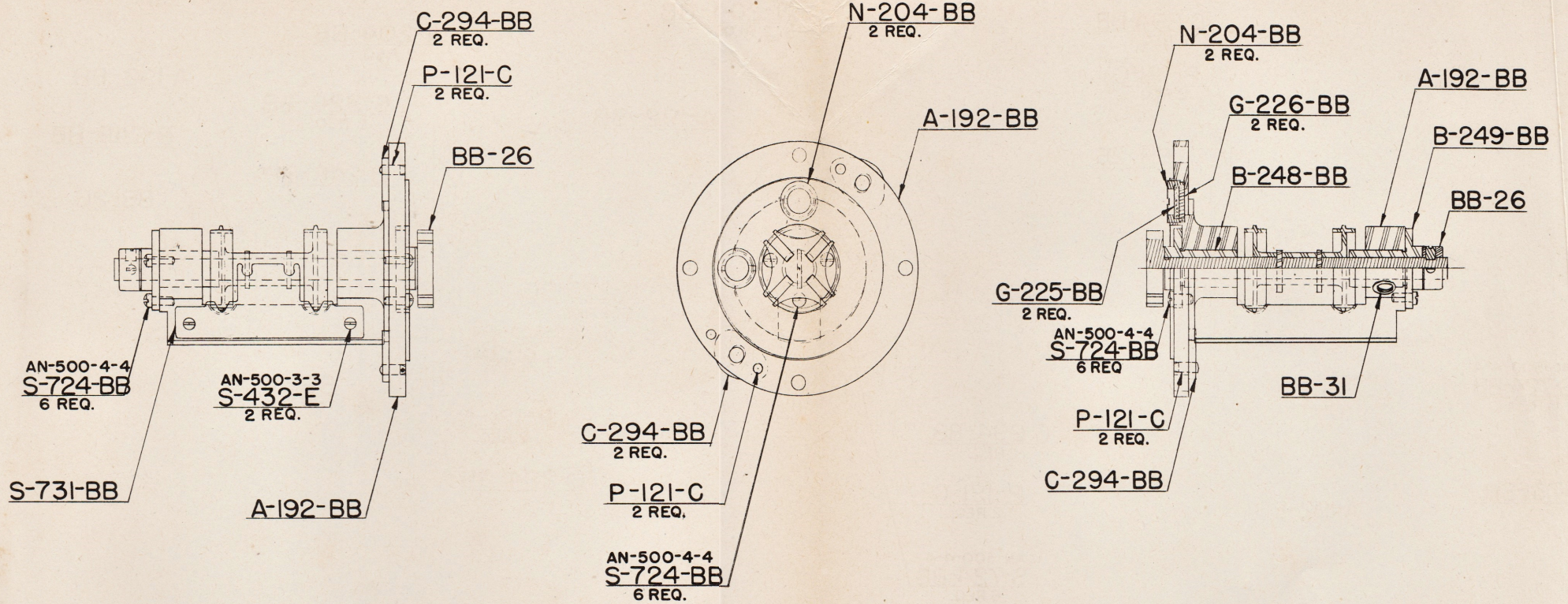
Intermittent Case Assembly — Part No. BB-21



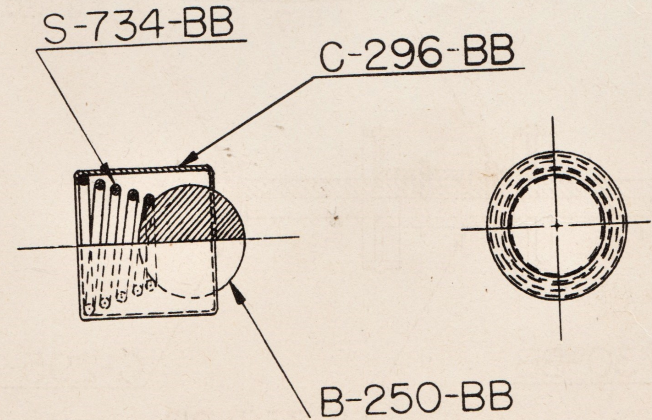
Intermittent Cam Assembly Part No. BB-38



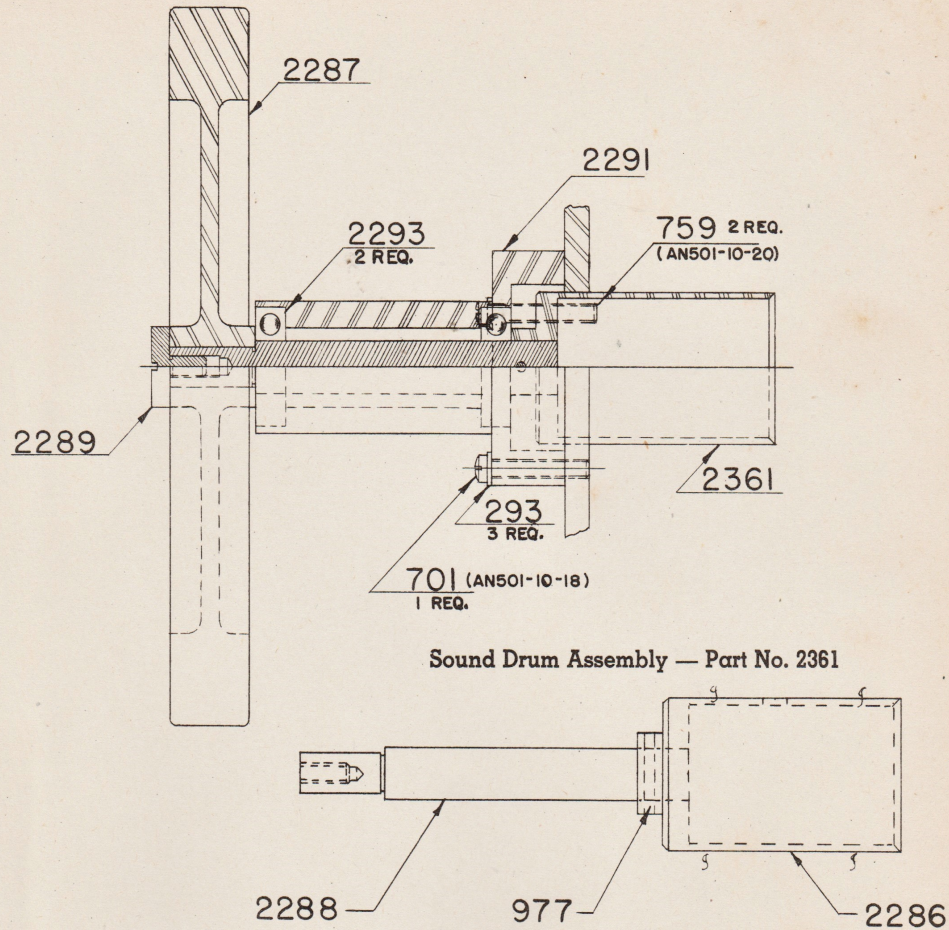
Intermittent Oil Tight Cover Assembly — Part No. BB-40



Star Wheel Shaft and Sprocket Assembly — Part No. BB-26



Outer Bearing Oil Cup Assembly — Part No. BB-31



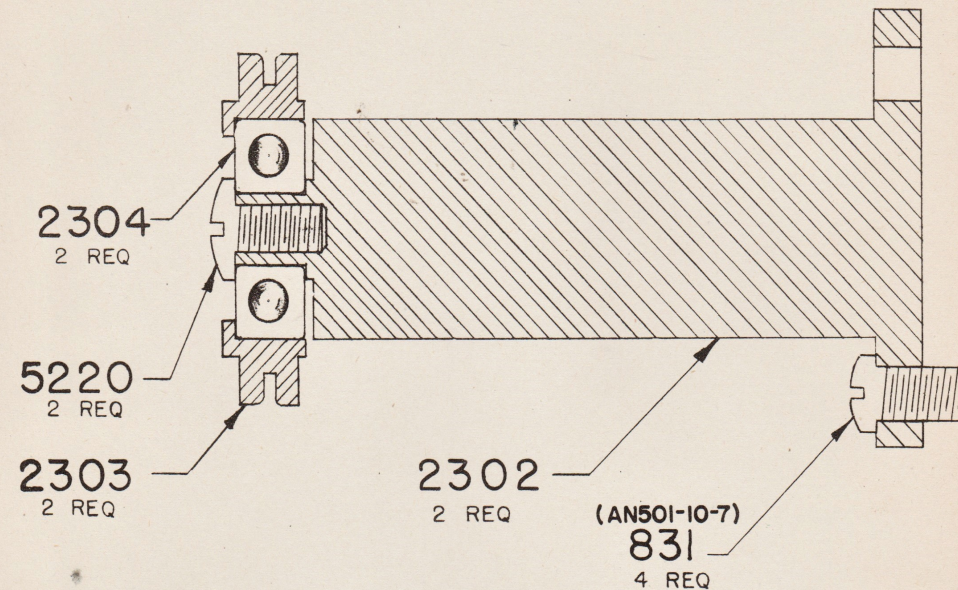
Sound Drum Assembly — Part No. 2361

Part Number	Description	Number Required
293	Washer - Lock (No. 10 Monel)	3
701	Screw - 10/32"x1-1/8" Fillister Head	1
759	Screw - 10/32"x1/4" Fillister Head	2
2287	Flywheel - Sound Drum	1
2289	Screw - Flywheel	1
2291	Mount - Flywheel Bearing	1
2293	Bearing - Ball	2

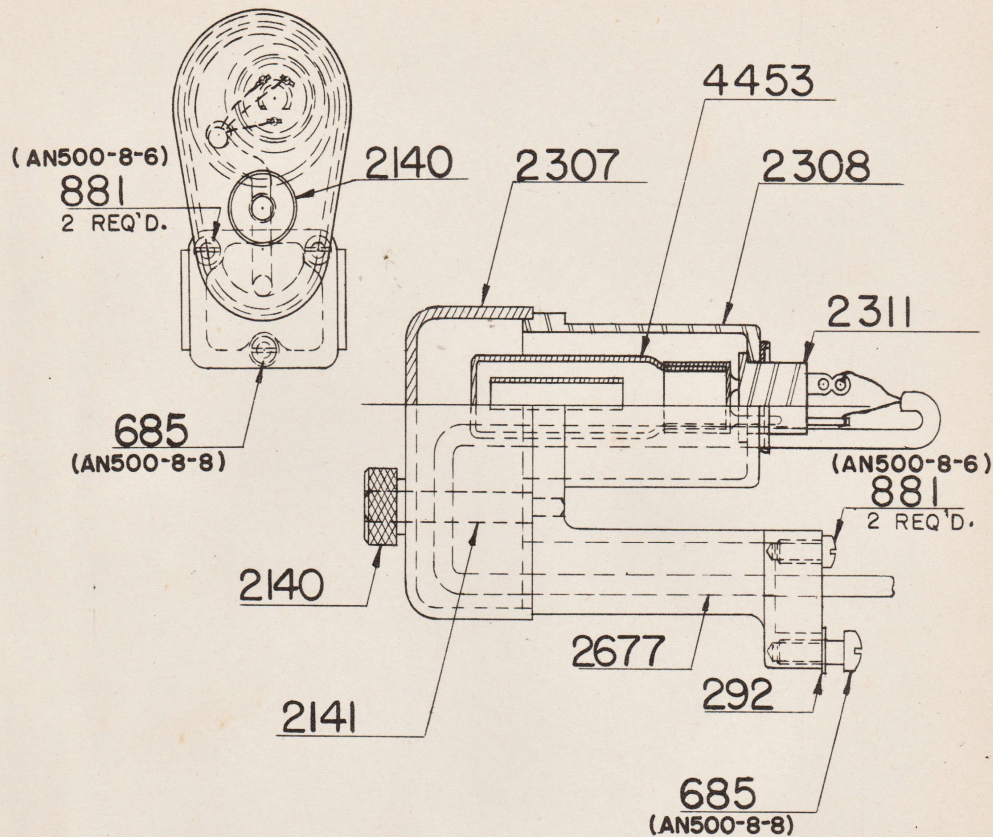
SOUND DRUM ASSEMBLY - PART NO. 2361

Sub-Assembly of 2290

977	Pin - Taper	1
2286	*Drum - Sound	1
2288	*Shaft - Sound Drum	1



Part Number	Description	Number Required
831	Screw - 10/32"x7/16" Fillister Head	4
2302	Stud - Adjusting Chain Idler	2
2303	Sprocket - Adjusting Chain Idler	2
2304	Bearing - C-96-6-PP Norma Hoffman	2
5220	Screw - 8/32"x1/4" Binder Head	2



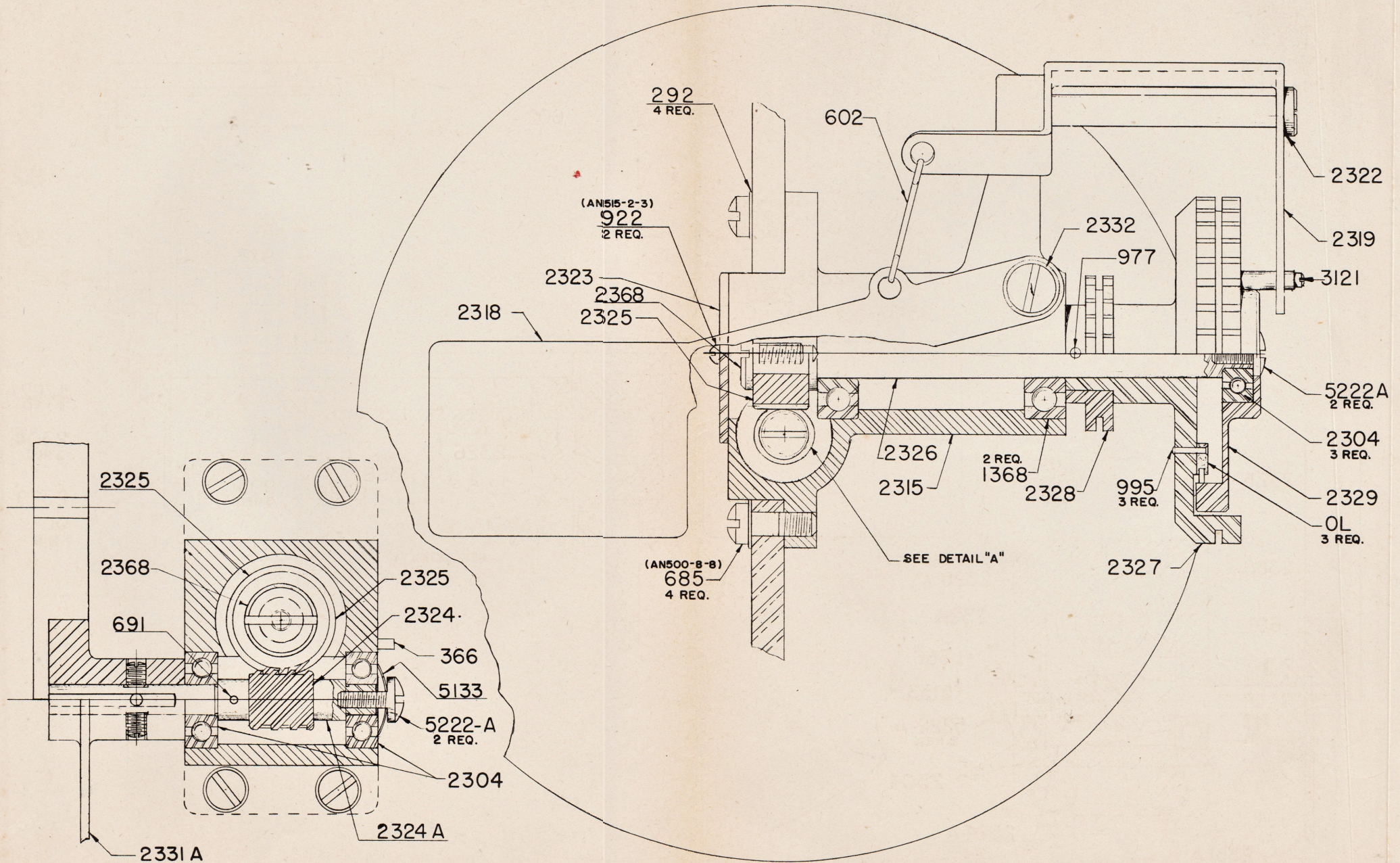
Part Number	Description	Number Required
292	Washer - No. 6 Monel Lock	1
685	Screw - 8/32"x1/2" Fillister Head	1
881	Screw - 8/32"x3/8" Fillister Head	2
2140	Knob - Cover Lock	1
2141	Stud - Cover Mount	1
2307	Cover - Photo Cell	1
2308	Bracket - Photo Cell	1
2311	Socket - Photo Cell (With Lock Ring)	1
2677	Cable - Photo-Electric Cell (15 1/2')	1
4453	Cell - Photo-Electric (CE-25 Based)	1

Refer to Assembly Drawing on Page 40A

Part Number	Description	Number Required
0L	Governor Weight Assembly	3
292	Washer - Lock (No. 6 Monel)	4
366	Pin - Stop Dowel	1
602	Link - Fire Shutter	1
685	Screw - 8/32"x1/2" Fillister Head	4
691	Pin - Taper	1
922	Screw - 2/56"x3/16" Round Head	2
977	Pin - Taper	1
995	Rivet - Weight	3
1368	Bearing - Norma Hoffman	2
2304	Bearing - Norma Hoffman	3
2315	Bracket - Shutter	1
2318	Shutter - Fire	1
2319	Lever - Fire Shutter	1
2322	Screw - Lever	1
2323	Cap - Shutter Bearing	1
2324	Gear - Pinion	1
2324-A	Shaft - Pinion Gear	1
2325	Gear - Shutter Drive	1
2326	Shaft - Shutter Drive	1
2327	Sprocket - Chain	1
2328	Sprocket - Mechanism Chain	1
2329	Governor - Fire Shutter	1
2332	Screw - Shutter	1
2368	Screw - Gear Lock (Left Hand)	1
3121	Stud - Lifting	1
5222-A	Screw - Button Head	3
5133	Washer - Spring	1

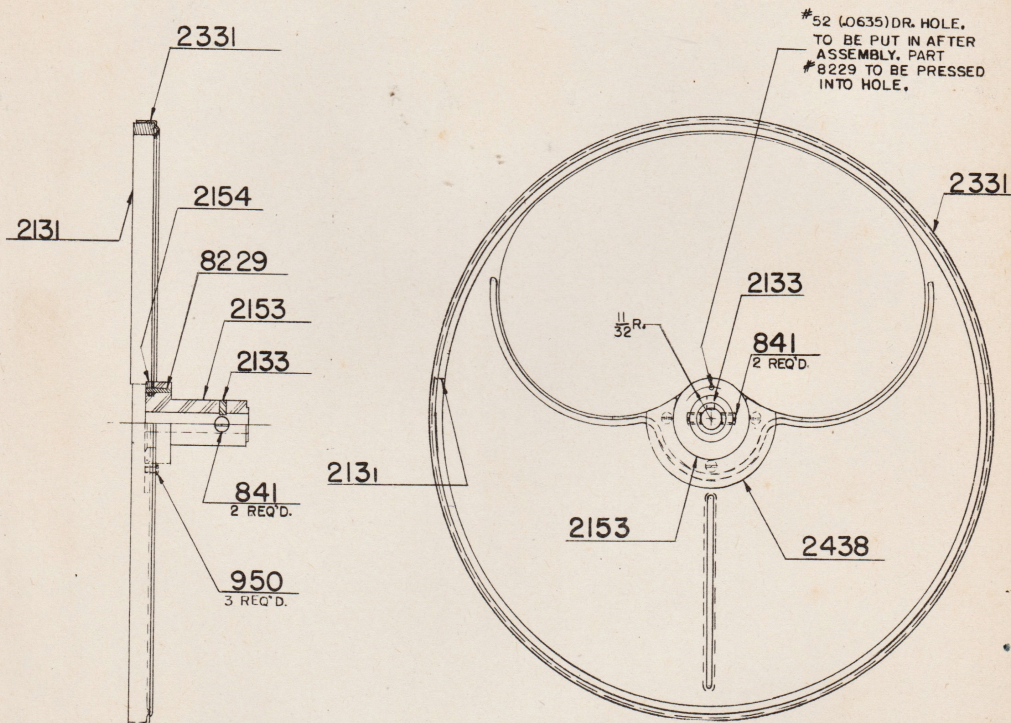
See Page 41A for Shutter Blade Assembly - 2331-A Sub-Assembly of 2330

Shutter Assembly — Part No. 2330



DETAIL "A"

Sub-Assembly of Shutter Assembly No. 2330



Part Number	Description	Number Required
841	*Screw - 5/32"-40x3/16" Set	2
950	*Screw - 4/36"xl/8" Round Head	3
2131	*Weight - Shutter	1
2133	*Pin - Shutter Blade Keyway	1
2153	*Hub - Shutter Blade	1
2154	*Washer - Steel	1
2331	*Blade - Film Shutter	1
2438	*Support - Shutter Blade	1
8229	*Pin - Dowel	1

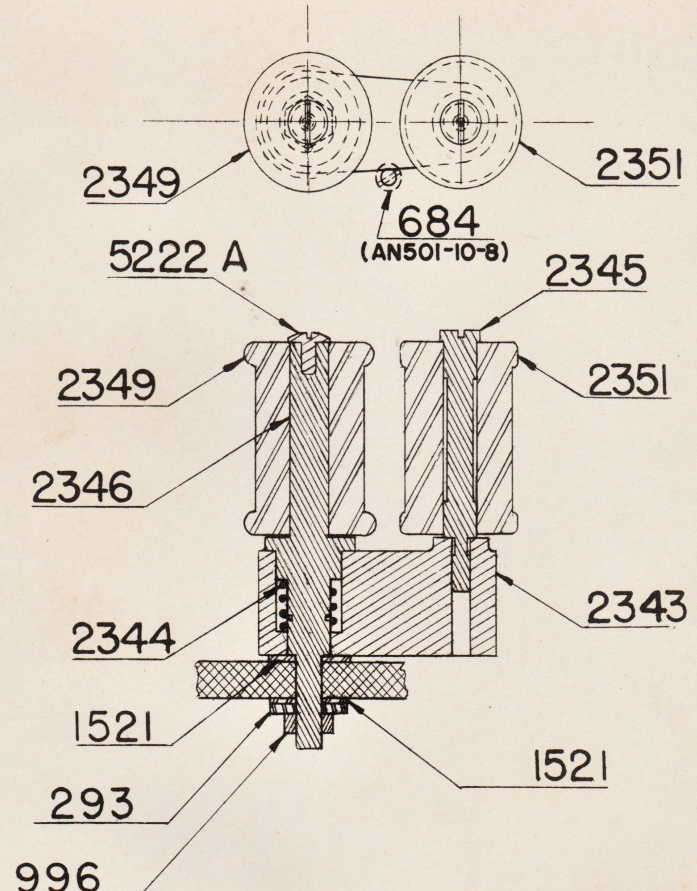
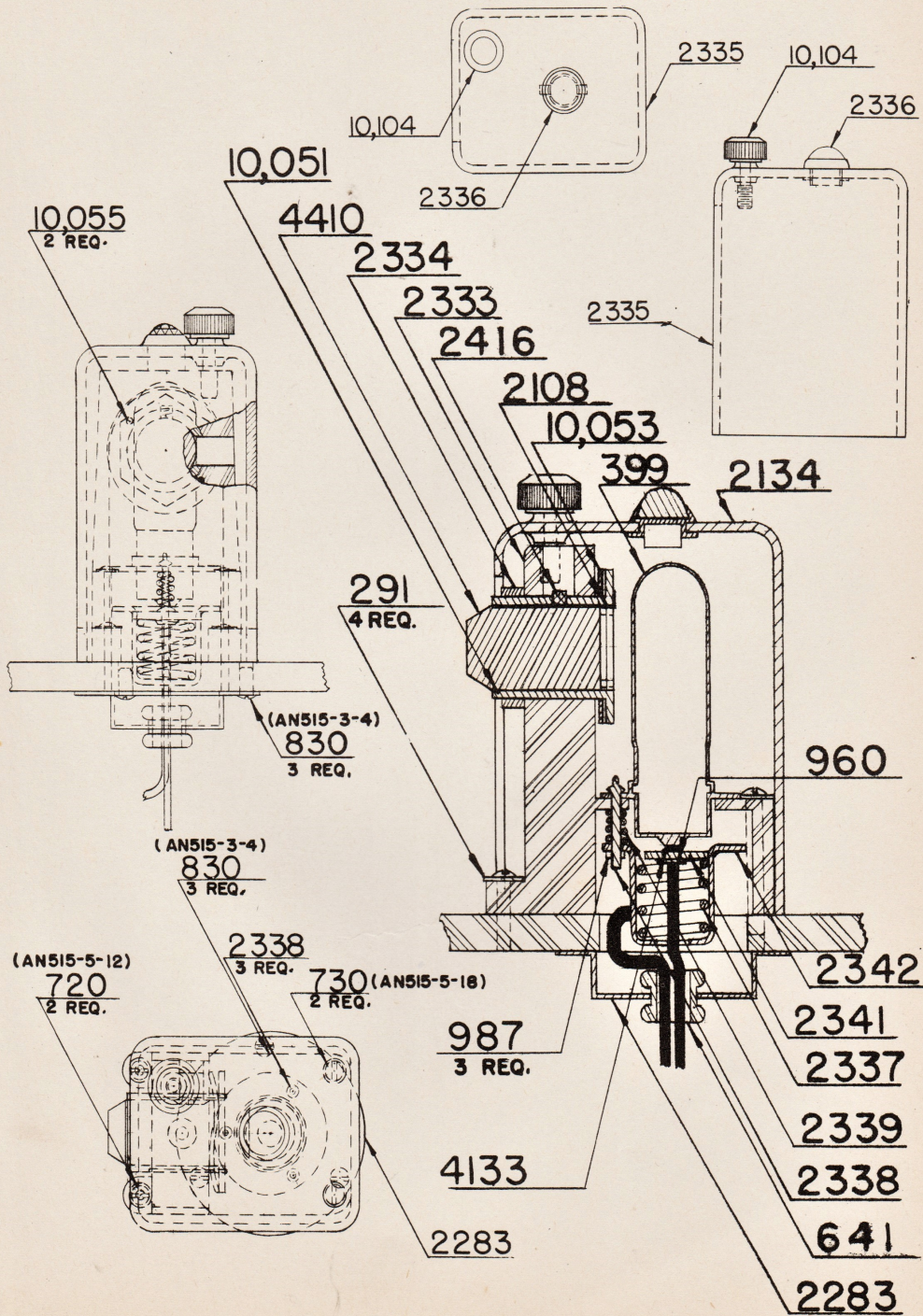
*Not Sold Separately. Purchase Entire Sub-Assembly 2331-A.

EXCITER LAMP ASSEMBLY - PART NO. 2340
Refer to Assembly Drawing on Page 43A

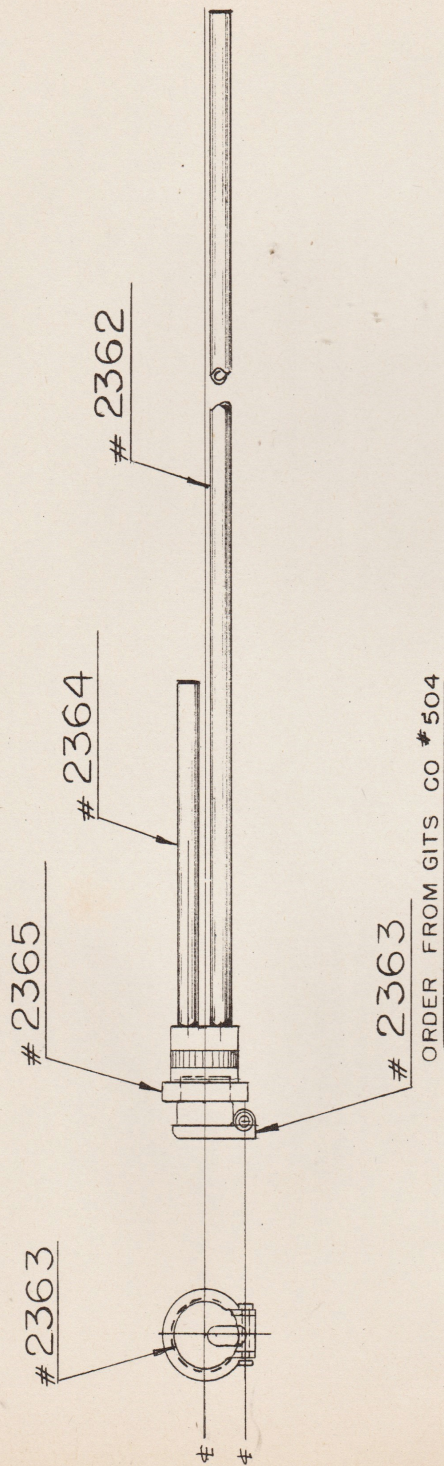
Part Number	Description	Number Required
291	Washer - No. 6 Monel Lock	4
399	Lamp - Exciter (F-5 1 Amp. 6 Volt)	1
641	Grommet - Rubber	1
720	Screw - 5/40"x3/4" Round Head	2
730	Screw - 5/40"xl-1/8" Round Head	2
830	Screw - 3/48"x3/16" Round Head	3
960	Washer - Steel	1
987	Nut - 2/56" Hexagon	3
2108	Spring - Slit Lens Tension	1
2283	Cover - Rear Exciter Lamp	1
2333	Bracket - Exciter Lamp	1
2334	Nut - Slit Lens	1
2337	Spring - Lamp Socket	1
2338	Pin - Lamp Socket	3
2339	Spring - Pin	1
2341	Washer - Lamp Socket	1
2342	Socket - Exciter Lamp (Prefocused)	1
2416	Screw - 5/40" Bristo	1
4133	Eyelet - Small	1
4410	Lens - Sound	1
10051	Sleeve - Lens	1
10053	Spring - Lens	1
10055	Pin - Registration	2
	26 1/2" #20 Belden Wire, 12' Spaghetti	

EXCITER LAMP COVER ASSEMBLY - PART NO. 2134
Sub-Assembly of 2340. Refer to Assembly Drawing on Page 43A
Includes 2335 (Cover), 2336 (Jewel Ruby), 10,104 (Cover Screw)

Exciter Lamp Cover Assembly
Part No. 2134

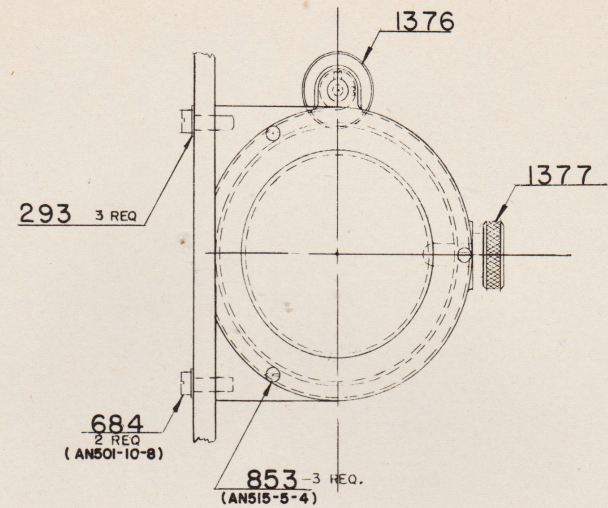


Part Number	Description	Number Required
293	Washer - Lock (No. 8 Monel)	1
684	Screw - Stop	1
996	Nut - Hexagon	1
1521	Washer - Steel Adjusting	2
2343	Bracket - Idler	1
2344	Spring - Idler	1
2345	Shaft - Idler	1
2346	Stud - Idler	1
2349	Roller - Stationary Idler	1
2351	Roller - Floating Film Idler	1
5222-A	Screw - Button Head	1



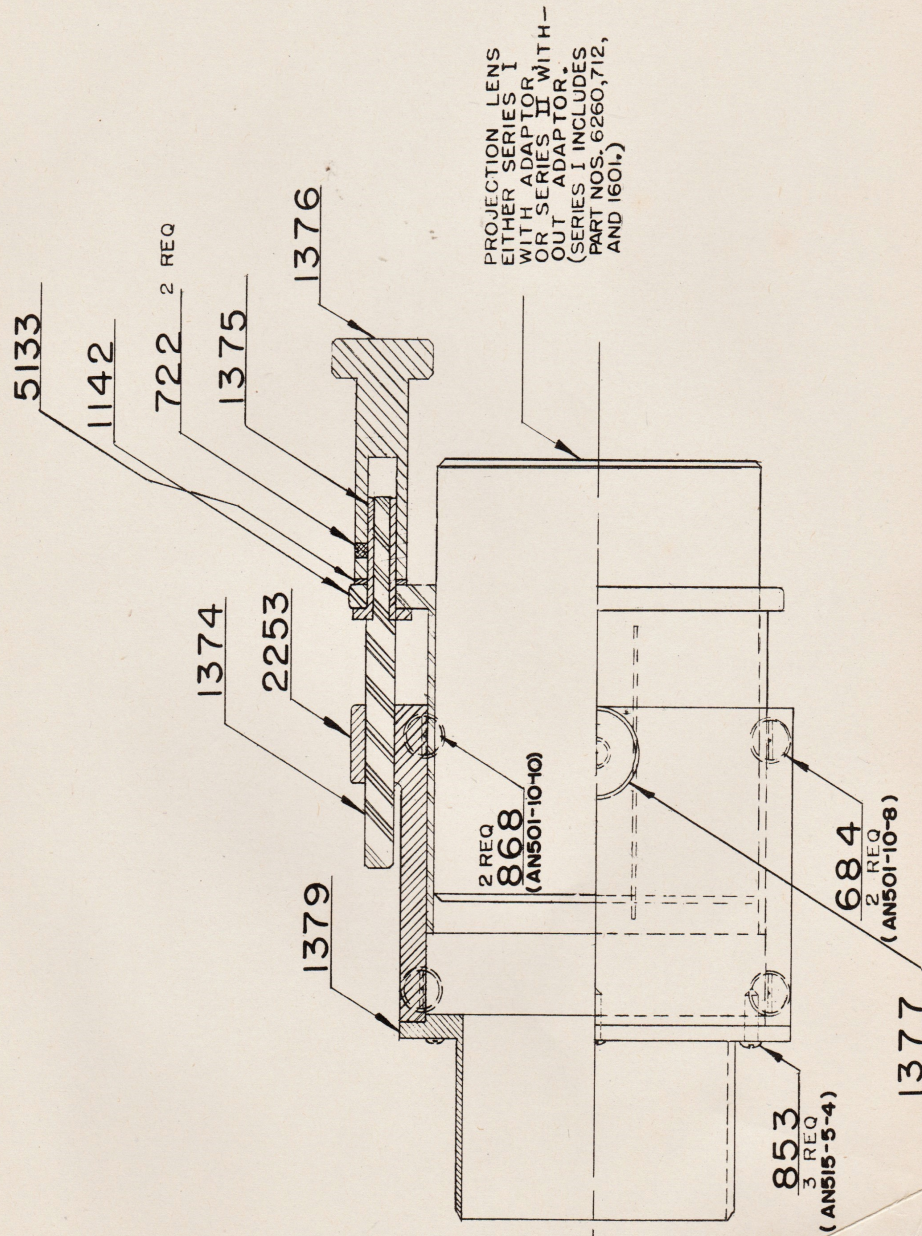
Part Number	Description	Number Required
2299	*Clip - Metal	1
2362	*Tube - Long Oil	1
2363	*Cup - Oil	1
2364	*Tube - Short Oil	1
2365	*Mount - Oil Cup	1

*Not Sold Separately. Purchase Entire Assembly 2367.
(Oil Cup Not Included)



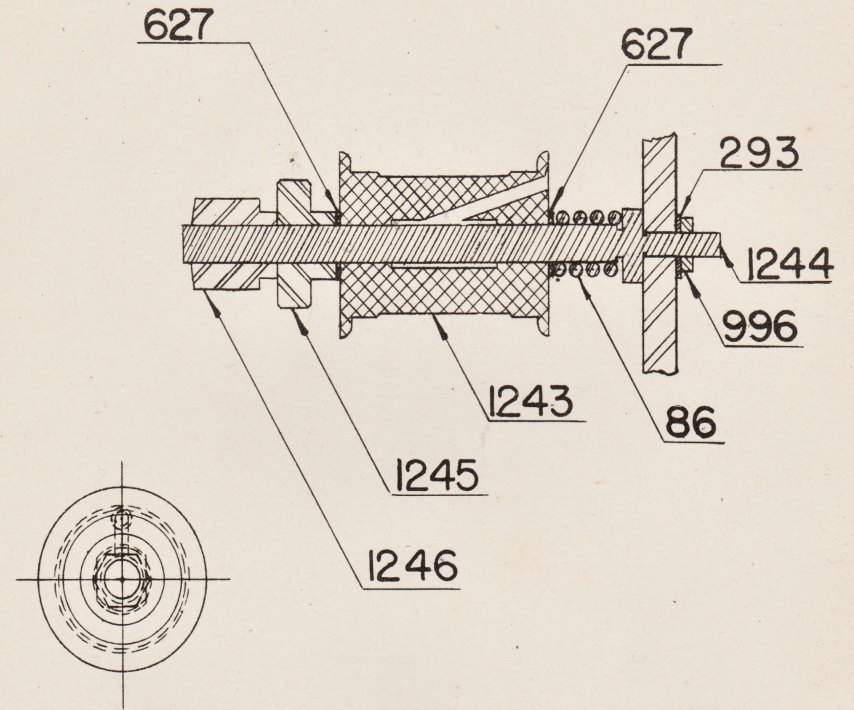
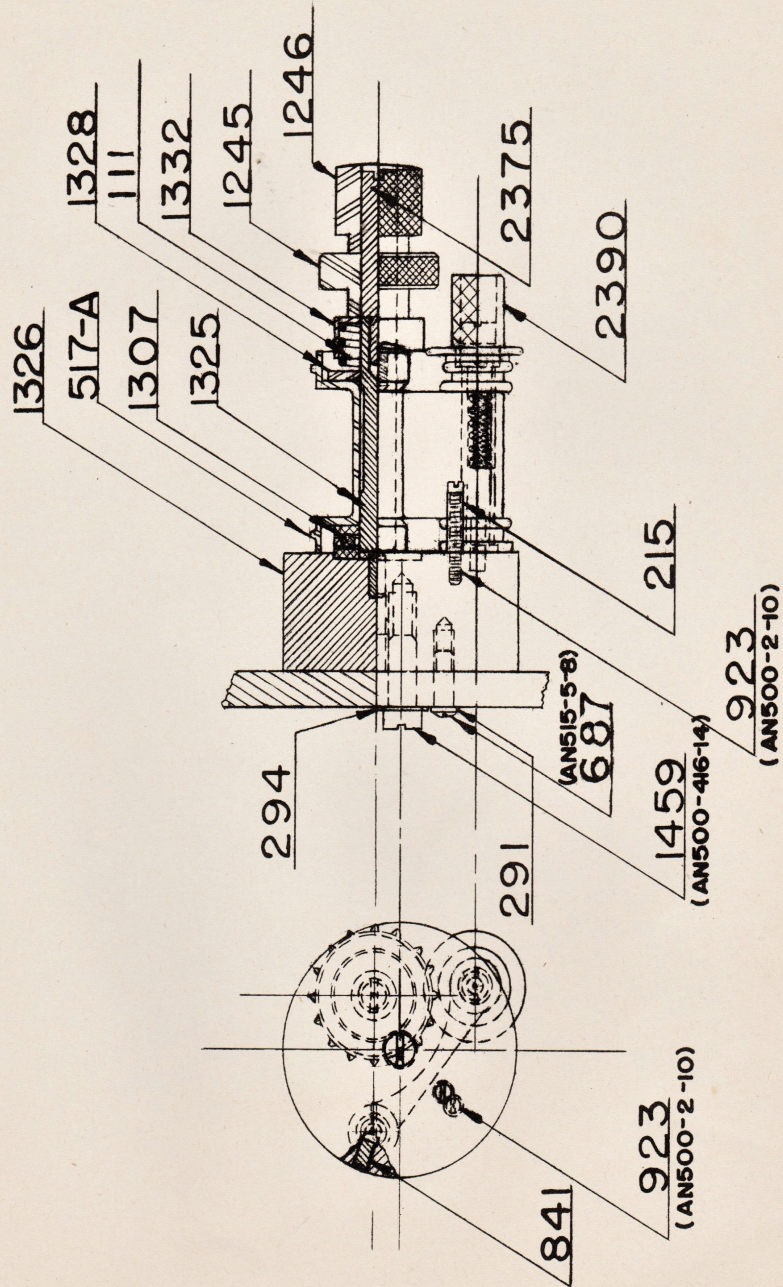
Part Number	Description	Number Required
293	Washer - Lock (No. 10 Monel)	3
684	Screw - 10/32"x1/2" Fillister Head	2
722	Screw - 6/32"x1/8" Set	2
853	Screw - 5/40"x1/4" Round Head	3
868	Screw - 10/32"x5/8" Fillister Head	2
1142	Sleeve - Housing	1
1374	Screw - Focusing	1
1375	Bushing - Focusing Screw	1
1376	Knob - Focusing	1
1377	Screw - Thumb	1
1379	Flange - Bracket	1
2253	Mount - Lens	1
5133	Washer - Spring	1
712	Set Screw - Lens Adaptor	1
1601	Lens Adaptor	1
6260	4" Lens - Series 1	1

See Next Page for Drawing Showing Side View of Lens Mount.

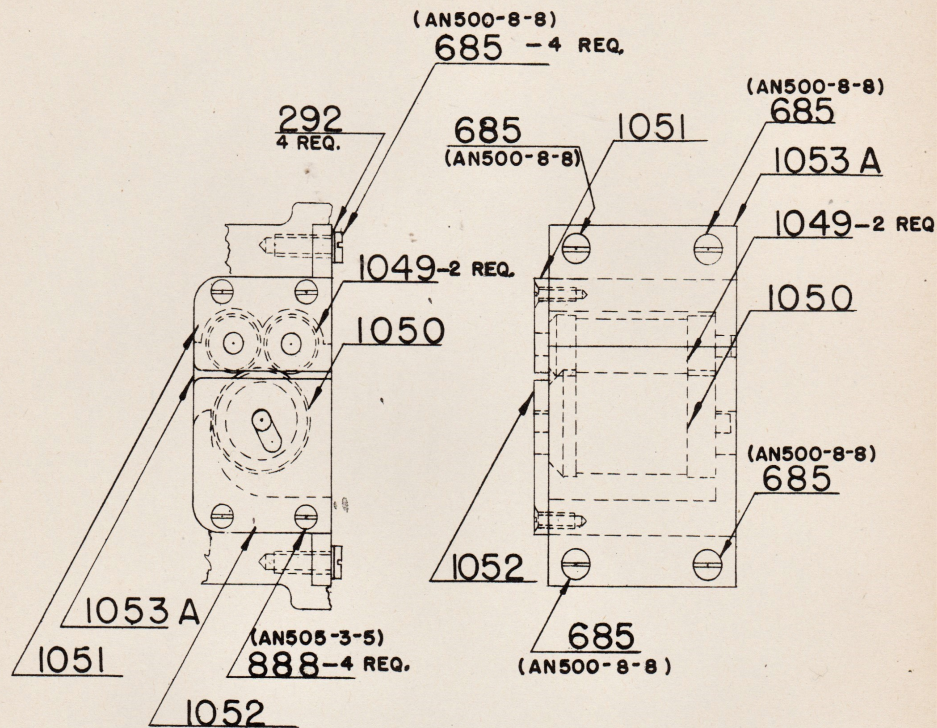


Part Number	Description	Number Required
111	Spring - Sprocket	1
215	Spacer - Idler	1
291	Washer - No. 6 Monel Lock	1
294	Washer - 1/4" Monel Lock	1
517-A	Sprocket - Holdback	1
687	Screw - 5/40"x1/2" Round Head	1
841	Screw - Set - 5/32"-40x3/8"	1
923	Screw - 2/56x5/8" Fillister Head	1
1245	Nut - Lock (Large)	1
1246	Nut - Lock (Small)	1
1307	Bearing - Ball	1
1325	Shaft - Sprocket	1
1326	Block - Sprocket	1
1328	Washer - Micarta	1
1332	Cap - Sprocket	1
1459	Screw - 1/4"-20x1/2" Fillister Head	1
2375	Screw - Extension	1

SPROCKET IDLER ASSEMBLY - PART NO. 2390
Sub-Assembly of 2380. See Page 18A for Analysis,
Page 20A for Drawing.



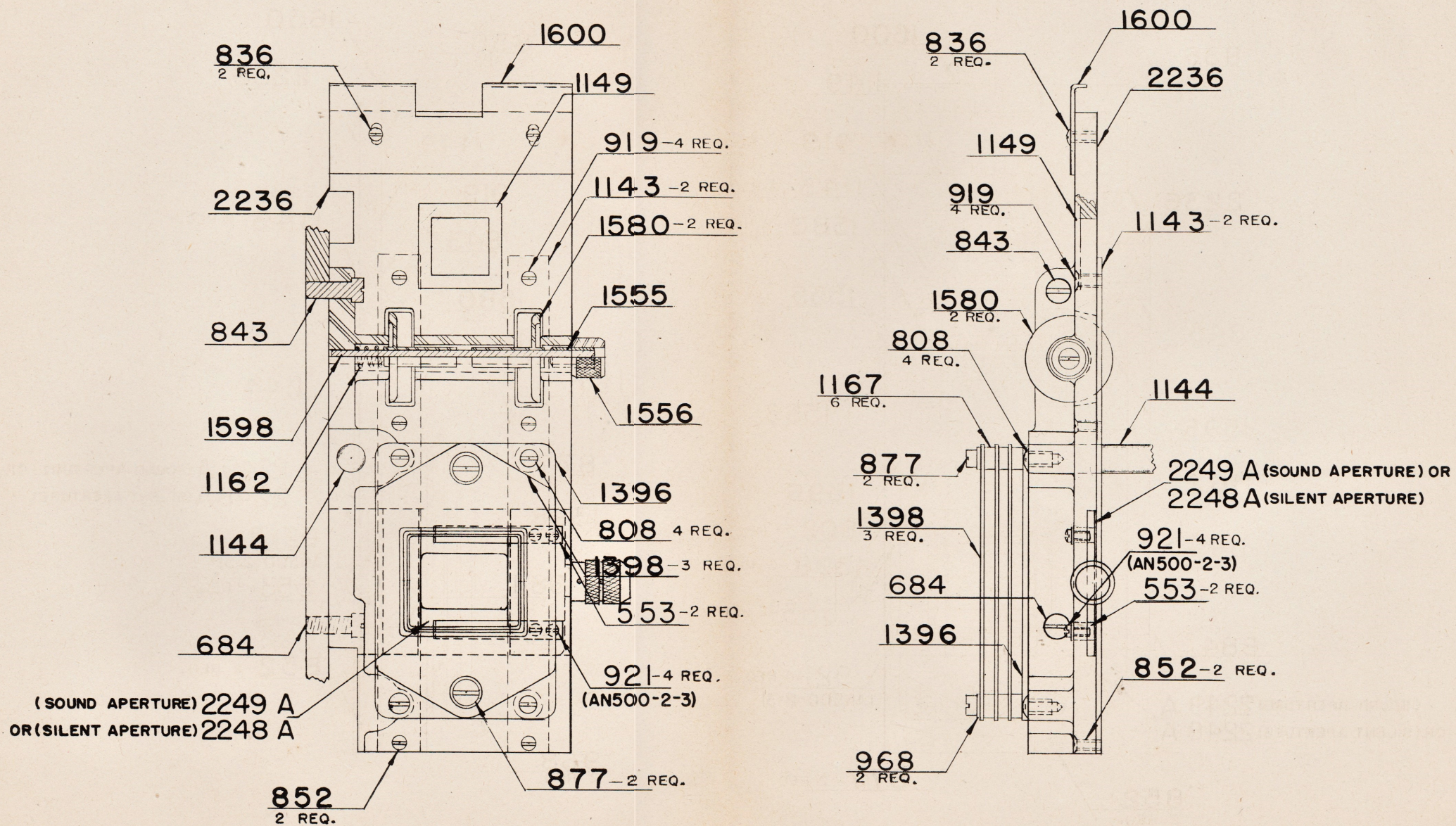
Part Number	Description	Number Required
86	Spring - Sound Adj. Friction Roller	1
293	Washer - No. 10 Monel Lock	1
627	Washer - Fibre	1
996	Nut - 10/32" Hexagon	1
1243	Roller - Sound Adjusting	1
1244	Shaft - Sound Adjusting Roller	1
1245	Nut - Large Sound Adjusting Roller Lock	1
1246	Nut - Small Sound Adjusting Roller Lock	1

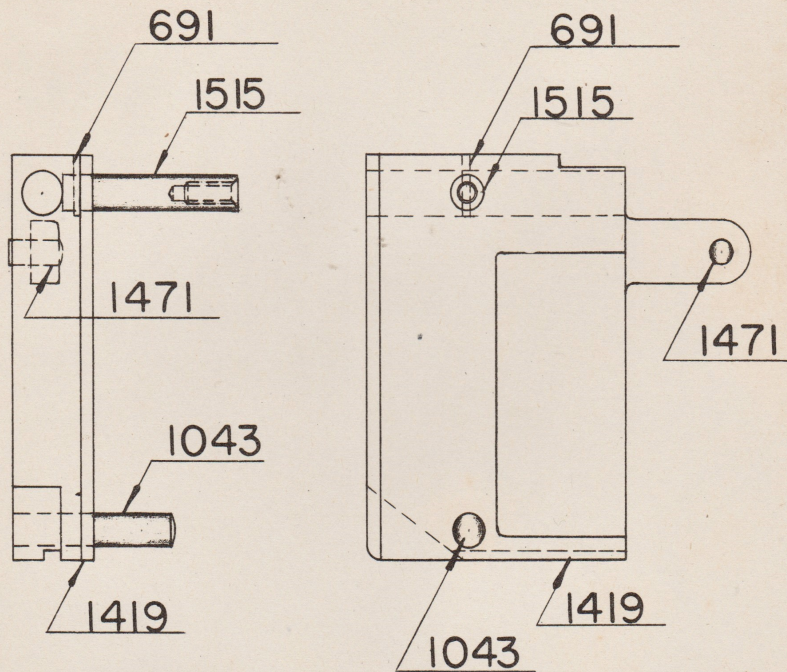


Part Number	Description	Number Required
292	Washer - Lock - No. 8 Monel	4
685	Screw - 8/32"x1/2" Fillister Head	4
888	Screw - 3/48x5/16" Flat Head	4
1049	Roller (Small)	2
1050	Roller (Large)	1
1051	Plate - Roller (Small)	1
1052	Plate - Roller (Large)	1
1053-A	Casting - Fire Roller (Lower)	1

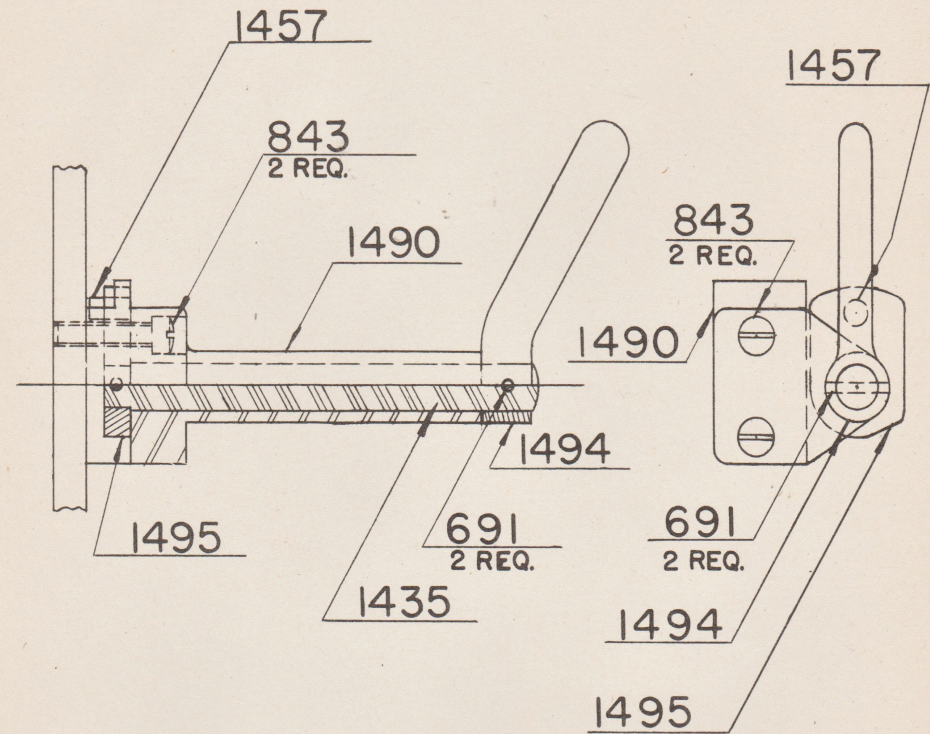
Part Number	Description	Number Required
553	Spring - Tension	2
684	Screw - 10/32"x1/2" Fillister Head	1
843	Screw - 10/32"x3/4" Fillister Head	1
968	Washer - Steel	2
808	Screw - 6/32"x1/4" Round Head	4
836	Screw - 5/40"x3/16" Round Head	2
852	Screw - 2/56"x1/8" Flat Head	2
877	Screw - 8/32"x5/8" Fillister Head	2
919	Screw - 2/56"x1/8" Fillister Head	4
921	Screw - 2/56"x1/8" Fillister Head	4
1143	Rail - Aperture Film	2
1144	Rod - Film Gate Slide	1
1149	Glass - Picture Framing	1
1162	Spring - Idler Spacer	1
1167	Insulator - Baffle Plate	6
1396	Plate - Baffle Mounting	1
1398	Plate - Baffle	3
1555	Bushing - Idler	1
1556	Nut - Idler Locking	1
1580	Spacer - Aperture Idler	2
1598	Shaft - Spacer	1
1600	Guard - Aperture Fire	1
2236	Casting - Aperture Plate	1
2248-A	Silent Aperture Assembly Includes Part Numbers 976 (Taper Pin), 2248 (Aperture Plate), 2251 (Aperture Knob)	1
2249-A	Sound Aperture Assembly Includes Part Numbers 976 (Taper Pin), 2248 (Aperture Plate), 2251 (Aperture Knob)	1

Aperture Plate Assembly — Part No. 2404

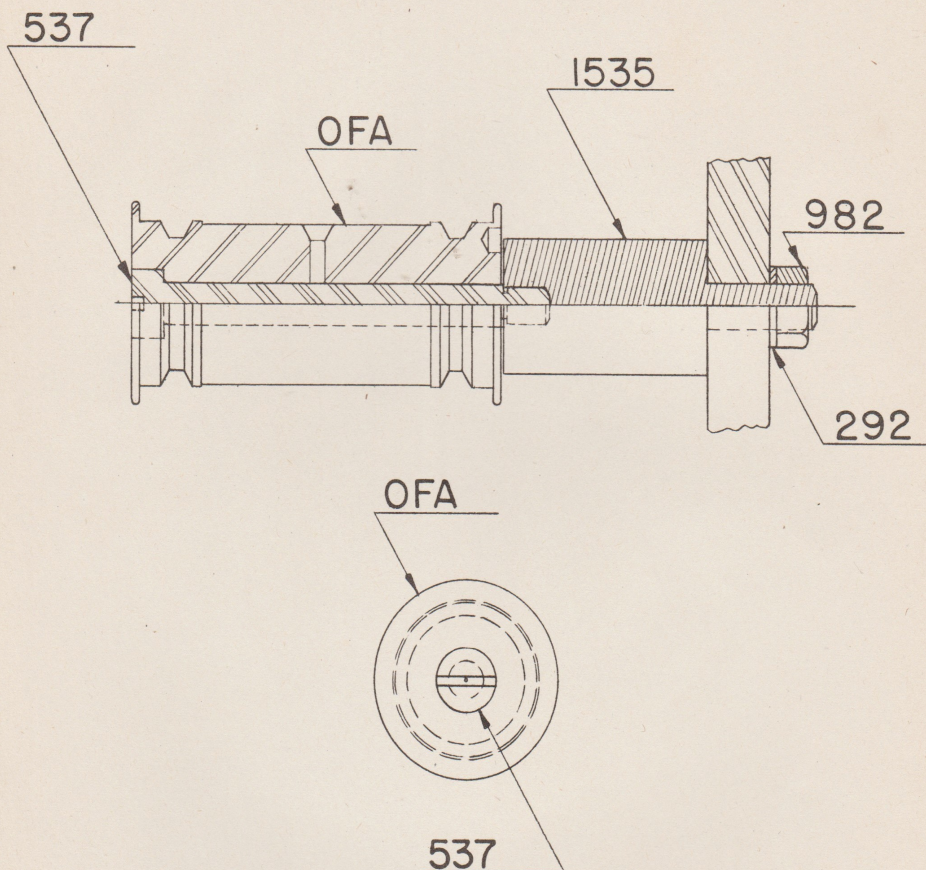




Part Number	Description	Number Required
691	Pin - Taper	1
1043	Stud - Film Gate (Short)	1
1419	Bracket - Sliding	1
1471	Stud - Sliding Bracket	1
1515	Stud - Film Gate (Long)	1



Part Number	Description	Number Required
691	Pin - Taper	2
843	Screw - 10/32"x3/4" Fillister Head	2
1435	Shaft - Trigger	1
1457	Stud - Cam	1
1490	Bearing - Release Shaft	1
1494	Trigger - Film Gate	1
1495	Cam - Release	1



Part Number	Description	Number Required
OFA	Roller - Idler	1
292	Washer - No. 8 Monel Lock	1
537	Shaft - Roller	1
982	Nut - 8/32" Hexagon	1
1535	Stud - Roller	1

ANALYSIS OF PARTS
DE VRY MODEL "ND" AMPLIFIER (30 WATTS)

Part No.	Description
400	Lamp - 6.3 V Panel
641	Grommet - 3/8" Rubber
698	Lug - Solder
709	Screw - 6/32"x1/4" Binder Head
736	Washer - 3/8" Inner Cut Lock
739	Screw - 1/4" Phillips Drive
748	Washer - 10/32" Inner Cut Lock
749	Screw - 3/4" Phillips Drive
754	Screw - 3/8" Phillips Drive
788	Bolt - 8/32"x2-1/4" F. H.
797	Washer - 8/32" Inner Cut Lock
821	Screw - 8/32"x9/16" Flat Head (Plated)
893	Bolt - 3/16"x4-1/2" Round Head
966	Washer - 8/32" Case
982	Nut - 8/32" Hexagon
1852	Handle - Amplifier Case
1853	Bumper - Rubber
2103	Plate - P. E. Cell Name
2105	Plate - Amplifier Dial
2688	Cord - No. 18 S-V Rubber
3083	Screw - P. E. Cell Connector Plug Contact
3084	Bushing - P. E. Cell Threaded Fibre (Front)

AMPLIFIER PARTS LIST - Continued

Part No.	Description
3085	Bushing - P. E. Cell Fibre (Rear)
3092	Socket - P. E. Cell Female
3093	Bushing - P. E. Cell Contact
3814	Condenser - 40-40 Mfd. 500 V
3815	Control - 9 Meg Ohm Volume
3816	Control - 50,000 Ohm Tone
3817	Resistor - 1000 Ohm 25 Watt
3818	Resistor - 200 Ohm 50 Watt Variable
3819	Resistor - 2500 Ohm 50 Watt
3821	Transformer - 7691 or T-45601 Power
3822	Transformer - T-43798 Output
3823	Choke - 7692 or T-43554
3824	Transformer - T-40647 Input
3827	Control - 250,000 Ohm Volume
3828	Socket - 5x4G Tube
3829	Socket - 6F5 Tube
3831	Grommet - 5/16" Rubber
3836	Condenser - .01 Mfd. 600 V
3841	Strip - 5 Hole Terminal
3842	Strip - 8 Hole Terminal
3847	Resistor - 1000 Ohm 1/2 Watt IRC
3848	Panel - Front Amplifier
3849	Case - Amplifier Chassis

AMPLIFIER PARTS LIST - Continued

Part No.	Description
3850	Chassis - Amplifier
3859	Condenser - .00025 Mfd.
3860	Case - No. 89 Amplifier and Speaker
3861	Condenser - .1 Mfd. Condenser
3862	Condenser - .05 Mfd.
3882	Socket - 6L6 Tube
3914	Knob - Red Bar
3935	Receptacle - Pilot Light
3937	Receptacle - No. 7467 Male Twist Lock
3940	Plug - No. 7464 Twist Lock Connector
3952	Plate - Amplifier Name
3964	Post - Fuse
4024	Resistor - 1.5 Meg 1/2 W IRC
4026	Resistor - 20,000 Ohm 1 W IRC
4029	Resistor - 2500 Ohm 1/2 W IRC
4031	Socket - 6J7 Tube
4053	Condenser - .005 Mfd.
4085	Fuse - 3 Ampere
4086	Clip - Fuse
4096-C	Clip - Grid Tube
4121	Socket - 6N7G Tube
4126	Condenser - 10 Mfd. 25 Working Volt

AMPLIFIER PARTS LIST - Continued

Part No.	Description
4133	Eyelets - Small
4141-C	Shield - Tube (Cinch)
4157	Condenser - 10 Mfd. 25 Working Volts
4175	Cleat - Fibre
4197	Resistor - 500,000 Ohm 1/2 W. IRC
4198	Resistor - 100,000 Ohm 1/2 W. IRC
4199	Washer - 3/8" Plated
4205	Resistor - 250,000 Ohm 1/2 W. IRC
4208-1	Condenser - 8-8-8 Mfd. 450 W.V.
4301	Tube - 6J7 or 1620
4314	Tube - 6N7G
4325	Tube - 5x4G
4326	Tube - 6F5
4327	Tube - 6L6G
4519	Switch - Toggle
4542	Strip - Resistor
4551	Grommet - 1/2" Rubber
5712	Screw - Front Panel Thumb
7226	Lug - P. E. Plug Terminal

LOUD SPEAKER COMPLETE - PART NO. ND-12

Part Number	Description	Number Required
2366	Bracket - Speaker Cable	4
2689	Cable - Speaker (100 ft.)	1
3860	Case - Speaker	1
4081	Receptacle - 4 Pin Speaker	1
4082	Plug - 4 Pin Speaker	1
4124	Screen - Speaker	1
4185-V	Speaker Unit (A-12 P.M.)	1

Numerical List
MAIN PROJECTOR ASSEMBLIES
As Listed on the Two Master Projector Drawings
Bound to the Inside BACK COVER

Part Number	Description	Parts Analysis Page No.	Assembly Drawing Page No.
1001	Condenser - Reflector Assembly	2A	3A
1005	Ventilating Motor Assembly	4A	4A
1134-B	Mechanism Plate (Not Sold Separately)	None	None
1430	Upper Case Assembly	5A	6A
1440	Lower Magazine Assembly	7A	8A
1450	Take-up Assembly	9A	10A
1470-A	Feed Magazine Assembly	11A	12A
1530-A	Drive Motor Assembly	15A	16A
2211	Lamphouse Assembly	17A	17A
2216	Feed Sprocket Assembly	18A	19A
2220	Sound Sprocket Assembly	21A	22A
2230	Film Gate Assembly	23A-25A	24A-25A
2259	Take-up Chain Idler Assembly	26A	27A
2259-A	Sound Sprocket Chain Idler Assembly	26A	27A
2263	Intermittent Movement Assembly	28A-29A	30A
2290	Sound Filter Assembly	36A	36A
2305	Chain Idler Assembly (2 Required)	37A	37A
2313	Photo Cell Mount Assembly	38A	38A
2330	Shutter Assembly	39A	40A
2340	Exciter Lamp Assembly	42A	43A
2350	Floating Film Idler Assembly	44A	44A
2367	Oiler Assembly	45A	45A
2379	Lens Mount Assembly	46A	46A-47A
2380	Holdback Sprocket Idler Assembly	48A	49A
2394	Sound Adjustment Roller Assembly	50A	50A
2395-A	Lower Fire Valve Assembly	51A	51A
2404	Aperture Plate Assembly	52A	53A
2420	Aperture Release Assembly	54A	54A
2420-A	Film Gate Trigger Assembly	55A	55A
3091	Photo Cell Cable Assembly	None	None
8798	Projector Power Cord Assembly	None	None
OFA-A	Film Guide Roller Assembly	56A	56A

NUMERICAL LIST OF PARTS AND COMPLETE UNITS
As Listed on the Two Master Assembly Drawings
Bound to the Inside BACK COVER

Part Number	Description	Number Required
56	Bracket - Projector Tilting	2
95	Screw - Tilting Bracket Lock	2
97	Pads - Tilting Bracket Foot	4
108	Cleat - Single Steel (To Hold Part No. 2608)	2
110	Cleat - Double Steel (To Hold Part No. 2608)	2
135	Spacer - Steel (To Space 1001 Assembly)	4
220	Socket - Framer Light	1
243	Receptacle - Male Projector Twist Lock	1
260	Spacer - Terminal Strip	2
291	Washer - No. 6 Monel Lock (2 for Part No. 220) (2 for 2310) (5 for 108 & 110) (4 for 4186) (2 for 3855)	15
292	Washer - No. 8 Monel Lock (2 for Part No. 243) (1 for 1472) (6 for 2201) (4 for 1001)	13
413	Lamp - Framer (110 Volt 2 cp T-7)	1
422	Lamp - Pilot (115 Volt, 15 Watt S-11 Da-Lite)	1
479-R	Lamp - Mazda Projection (1000 Watt, 115 Volt, T-20 Prefocused)	1
720	Screw - 5/40"x3/4" Fillister Head (To Hold 220)	2
802	Screw - 8/32"x5/16" Round Head (To Hold No. 243)	2
803	Screw - 8/32"x3/8" Round Head (To Hold No. 2201)	6
808	Screw - 6/32"x1/4" Round Head (To Hold No. 4175)	4
810	Screw - 6/32"x3/4" Round Head (To Hold No. 3855)	2
813	Screw - 6/32"x3/8" Round Head (4 for 4186)(2 for 2310)	6
816	Screw - 6/32"x1/2" Round Head (To Hold Nos. 108 & 110)	5
832	Screw - 5/40"x5/16" Round Head (To Hold No. 1215)	2
851	Screw - 8/32"x3/4" Flat Head (To Hold No. 97)	4
877	Screw - 8/32"x5/8" Fillister Head (To Hold No. 1001)	4
883	Washer - Steel (To Hold No. 1472)	1

NUMERICAL LIST OF PARTS AND COMPLETE UNITS - Continued

Part Number	Description	Number Required
968	Washer - Steel (To Hold No. 2201)	1
981	Nut - 6/32" Hexagon (5 for Part Nos. 108 & 110) (4 for 4186) (2 for 2310) (2 for 3855)	13
982	Nut - 8/32" Hexagon (6 for Part No. 2201) (2 for 243) (6 for 1440)	14
1215	Holder - Pilot Lamp Socket	1
1216	Socket - Pilot Lamp	1
1451	Stud - Film Gate Eccentric Pivot	1
1472	Arm - Film Gate Release Pivot	1
2200	Baffle - Lamphouse	1
2201	Gib - Lamphouse	2
2203	Base - Lamphouse	1
2114	Chain - Motor Drive (57 Links)	1
2121	Chain - Main Drive (101 Links)	1
2122	Chain - Sound Sprocket (68 Links)	1
2123	Chain - Take-up (74 Links)	1
2310	Cover - Wiring Box	1
2608	BX - Auto Flex (51")	1
3854	Ferrules - BX (For Part No. 2608)	4
3855	Strip - Projector Terminal	1
4175	Cleat - Fibre (To Hold #16 Delabaston Wire in Place)	4
4186	Transformer - 6 Volt	1
4280	Receptacle - Photo Electric Cell Male	1
4519	Switch - Toggle	2
5220	Screw - 8/32"x1/4" Binder Head (To Hold 1472)	1
5820	Reel - 2000 Ft. Take-up (Not shown on drawing)	1
9057	Switch - Toggle	2
AS-117	Screw - 8/32"x3/8" Binder Head (To Hold 1430-1440)	6
AS-118	Washer - Steel (To Hold 1430 and 1440)	6

