

# PARTS LIST

FOR



## PROJECTOR MECHANISM



**INTERNATIONAL PROJECTOR  
CORPORATION**

88-96 GOLD STREET . . . NE YORK 7, N. Y.

Printed in U. S. A. • Copyrighted By International Projector Corporation 1943



**NATIONAL**

**THEATRE SUPPLY**

Division of National • Simplex • Bludworth, Inc.

## BRANCHES

### EASTERN DISTRICT

#### ALBANY 4

962 BROADWAY  
Phone: 5-1479

#### BALTIMORE 2

417 ST. PAUL PLACE  
Phone: MULberry 8-8266

#### BOSTON 16

37 WINCHESTER STREET  
Phone: Liberty 3294

#### BUFFALO 2

500 PEARL STREET  
Phone: Washington 1736

#### NEW HAVEN 10

122 MEADOW STREET  
Phone: 5-7371

#### NEW YORK 18

356 W. 44th STREET  
Phone: Circle 5-6900

#### PHILADELPHIA 7

1225 VINE STREET  
Phone: Spruce 6156

### SOUTHERN DISTRICT

#### ATLANTA 3

187 WALTON STREET, N.W.  
Phone: Jackson 4075

#### CHARLOTTE 1

304 S. CHURCH STREET  
Phone: 7753

#### DALLAS 1

300 S. HARWOOD STREET  
Phone: Riverside 2135

#### MEMPHIS 2

400 S. SECOND STREET  
Phone: 5-6166

#### NEW ORLEANS 13

220 S. LIBERTY STREET  
Phone: Raymond 4455

#### OKLAHOMA CITY 2

700 W. GRAND AVENUE  
Phone: 3-9703

### WESTERN DISTRICT

#### DENVER 2

2111 CHAMPA STREET  
Phone: Tabor 0201

#### LOS ANGELES 7

1961 S. VERMONT AVENUE  
Phone: Republic 4193

#### SAN FRANCISCO 2

255 GOLDEN GATE AVENUE  
Phone: Market 4171

#### SEATTLE 1

2319 SECOND AVENUE  
Phone: Main 3422

### CENTRAL DISTRICT

#### CHICAGO 5

1325 S. WABASH AVENUE  
Phone: Calumet 7678

#### CINCINNATI 14

1637 CENTRAL PARKWAY  
Phone: Main 6581

#### CLEVELAND 14

2128 PAYNE AVENUE  
Phone: Prospect 4613

#### DES MOINES 9

1102 HIGH STREET  
Phone: 4-2322

#### DETROIT 1

2312 CASS AVENUE  
Phone: Cadillac 2447

#### INDIANAPOLIS 4

436 N. ILLINOIS STREET  
Phone: Lincoln 4517

#### KANSAS CITY 8

223 W. 18th STREET  
Phone: Harrison 3256

#### MILWAUKEE 3

1027 N. 8th STREET  
Phone: Marquette 7333

#### MINNEAPOLIS 3

56 GLENWOOD AVENUE  
Phone: Main 8273

#### PITTSBURGH 19

1721 BOULEVARD OF THE ALLIES  
Phone: Grant 4630

#### ST. LOUIS 3

3212 OLIVE STREET  
Phone: Jefferson 8494



## SIMPLEX PROGRESS AND SIMPLEX PRECISION

In the past two years the International Projector Corporation has made remarkable advances in the design and manufacture of *Simplex* Projectors and Parts. Vast sums have been spent to increase ease of operation, wearing qualities of the mechanism and entertainment value of the picture. Realizing that audiences are more keenly aware of the differences between good and bad projection, theatre owners are more exacting than ever before and we have again anticipated the requirements of progressive exhibitors by many outstanding changes and improvements.

The new spiral bevel gears insure smoother operation, greatly reduce the noise level and are a tremendous stride forward in mechanism design and construction. Intermittent sprockets are hardened and then ground, which insures a definitely longer life and a far more accurate sprocket. The new shockproof gear has a Thiokol insert which permits the gear to take up the irregularities due to the action of the intermittent movement. These are only a few of the important improvements which have been incorporated in our later equipments and are the result of the work which is being constantly carried on by our research department and engineering staff.

Every *Simplex* part is made to meet definite practical requirements which improve projection and lower maintenance charges. Many vital parts are made to a ten-thousandth part of an inch - scientific accuracy that assures a rocksteady picture. *Simplex* precision is extremely important to prevent unsteadiness at the aperture, which is magnified hundreds of times on the screen. This "jump" or "sideshow" becomes annoyingly noticeable to patrons and can be prevented by installing new *Simplex* Projectors or by repairing or replacing with *Genuine Simplex Parts*. Hold regular patrons and get new ones with *Simplex* Projection which improves entertainment and box office value of the picture. Better Projection Pays. Neglect is poor economy. Repair - replace with *Genuine Simplex Parts*.

*Simplex*



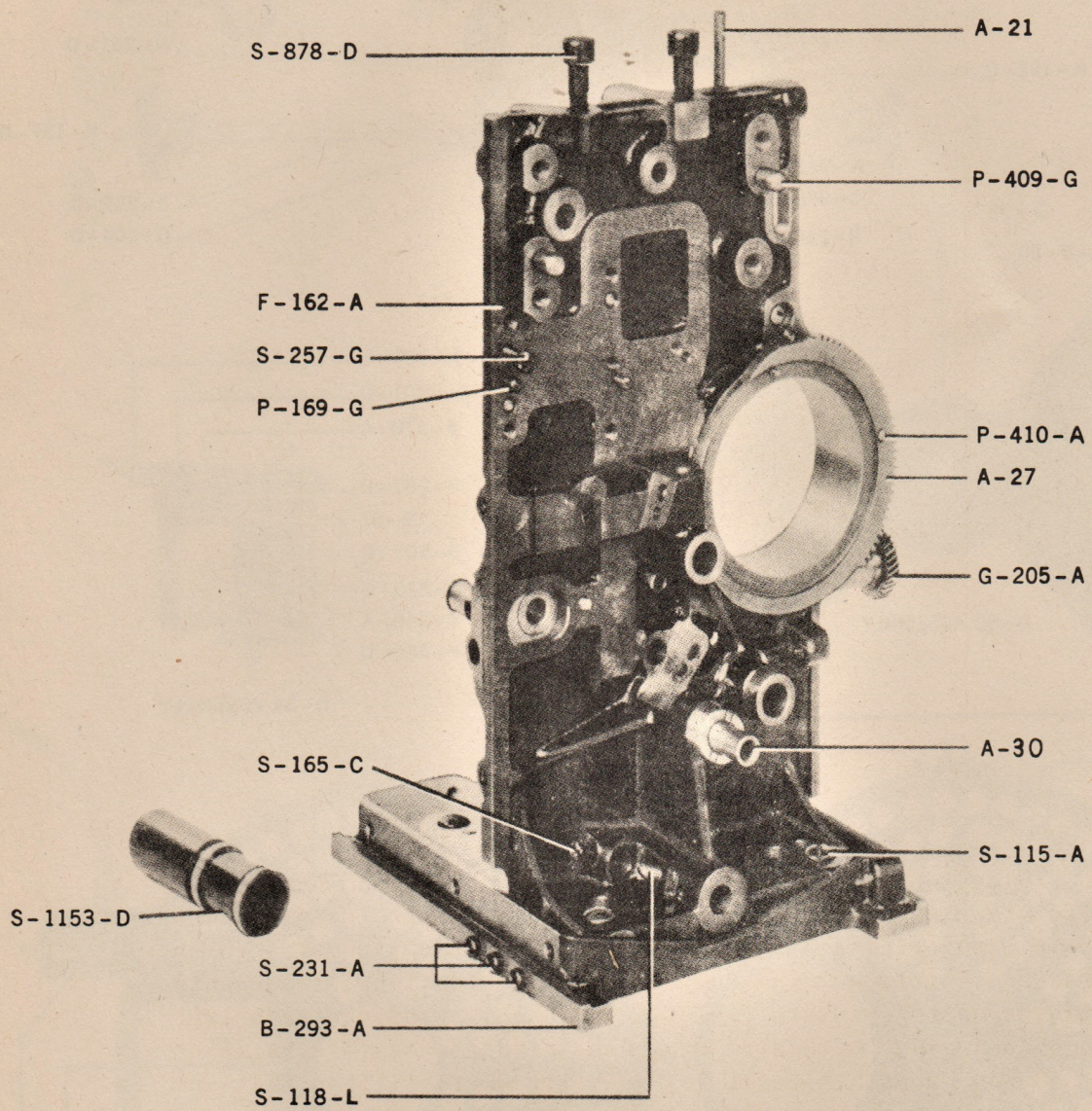


### HOME OF SIMPLEX EQUIPMENT

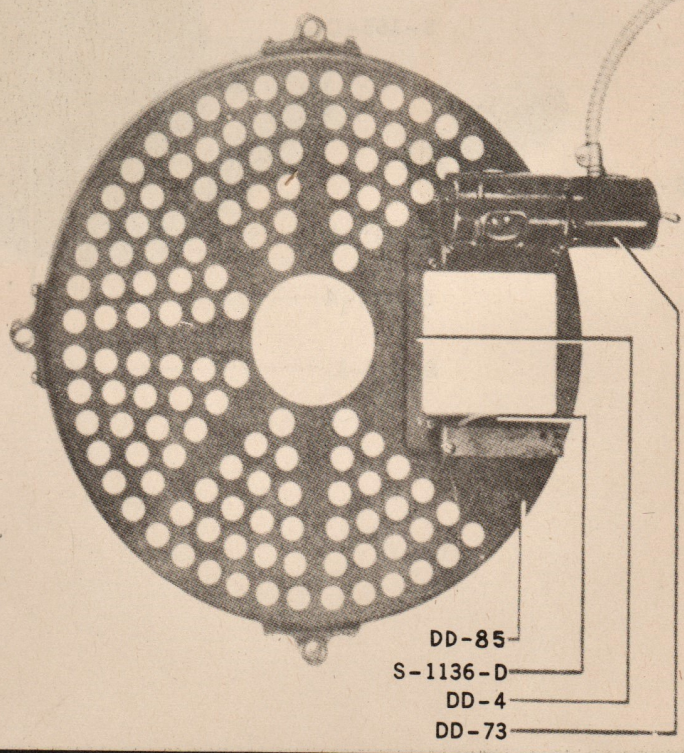
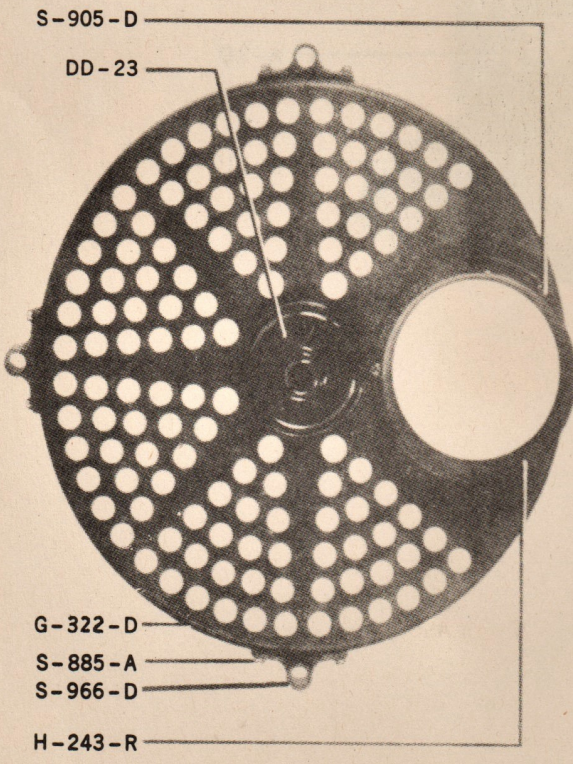
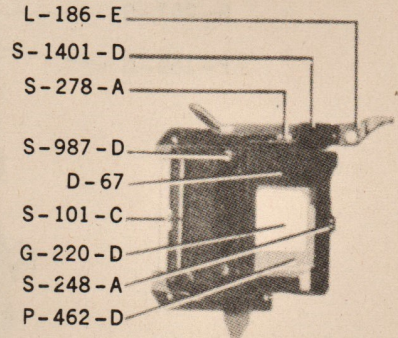
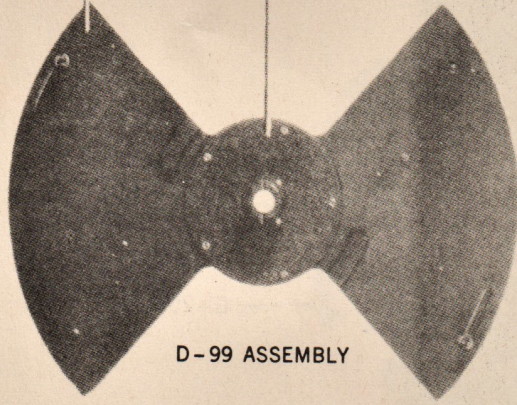
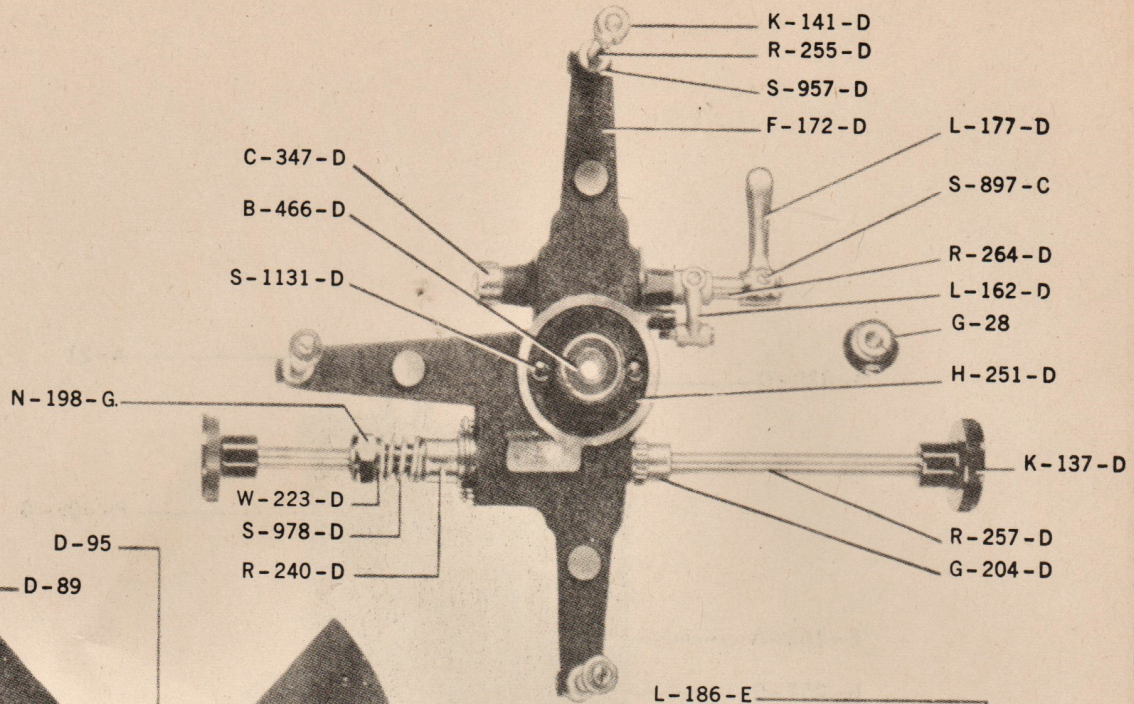
Oldest and largest factory in the world devoted to the manufacture of standard professional motion picture projectors. Here have been originated and perfected methods and standards which for over thirty years have given us an international leadership in the motion picture field. A thoroughly progressive spirit enables us to give theatre owners the highest possible value at the lowest possible cost. No other firm has facilities that are at all comparable to ours for the economical and efficient manufacture of motion picture equipment and parts.

*Simplex* service supplements *Simplex* quality. Exhibitors know they can rely upon *Simplex* Distributors for satisfactory installation of *Simplex* equipment; advice and help when emergencies arise and prompt delivery of genuine *Simplex* parts when needed. **GENUINE SIMPLEX PARTS** always give the greatest value and are absolutely essential to get the best results with **SIMPLEX PROJECTORS**.

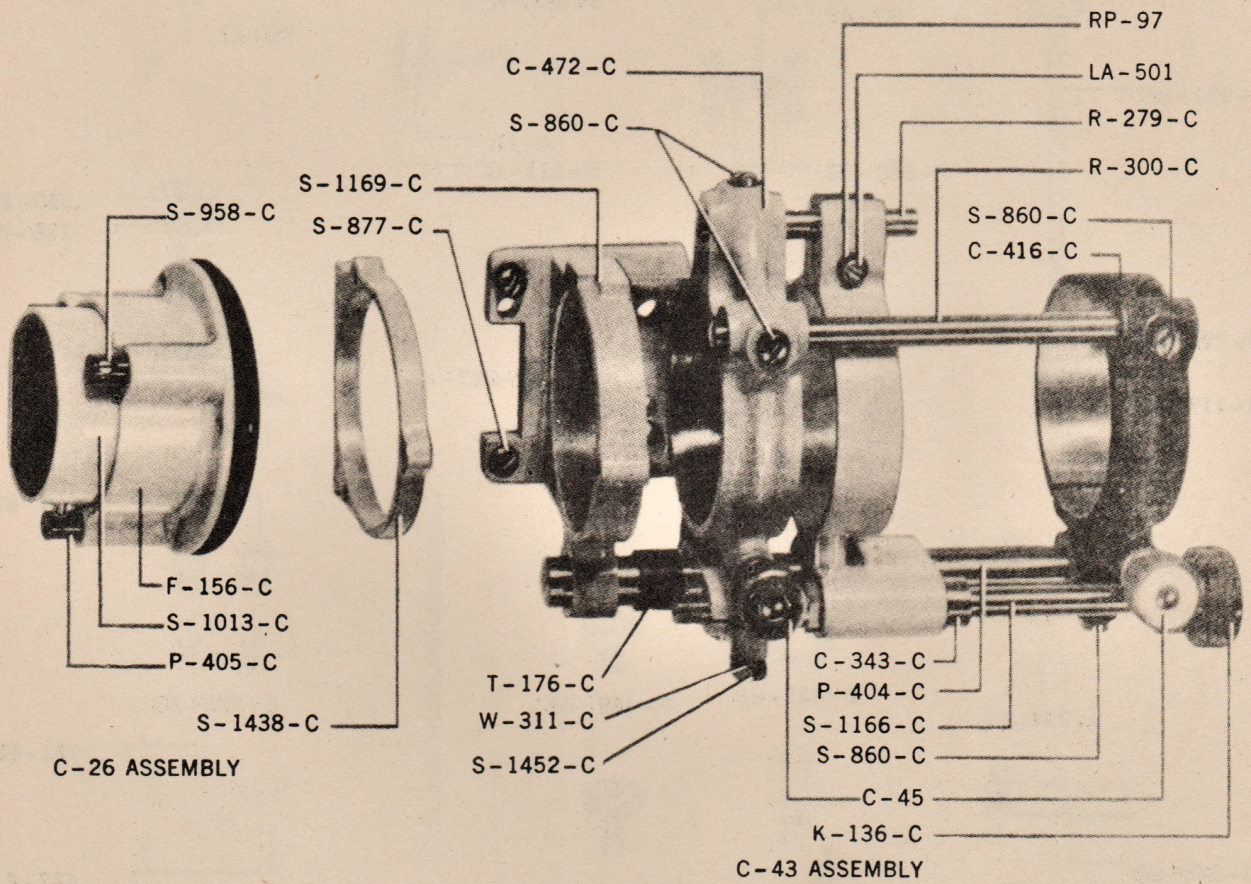
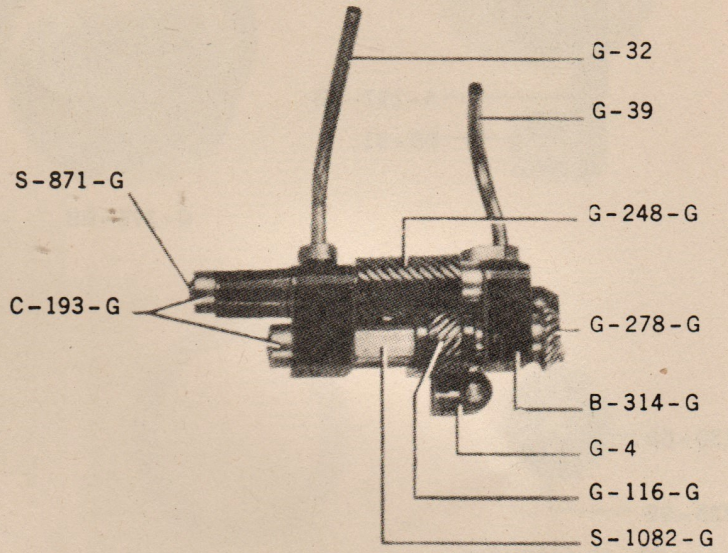
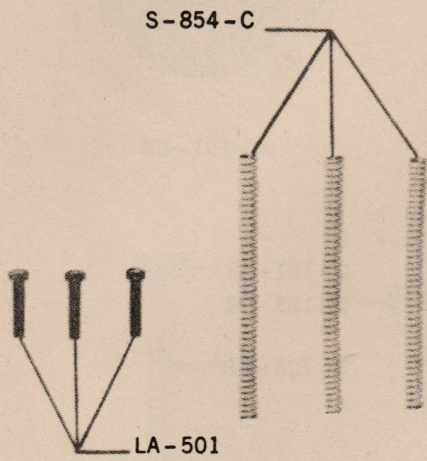




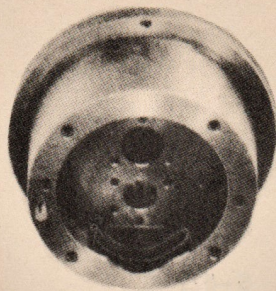
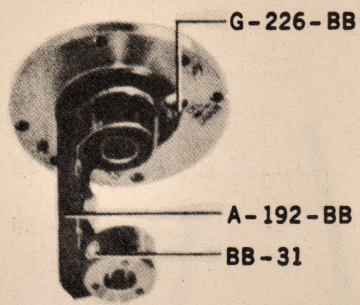




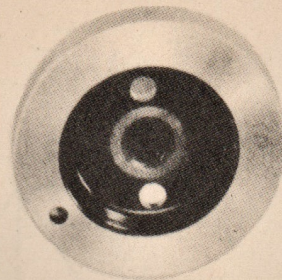




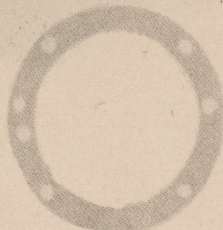
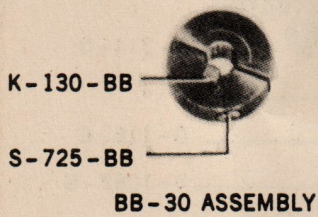




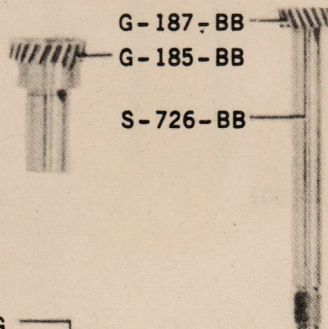
C-375-BB



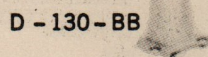
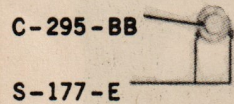
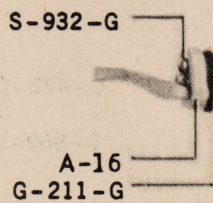
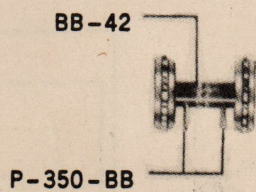
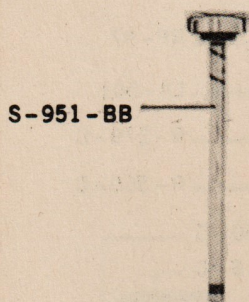
W-191-BB



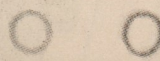
G-188-BB



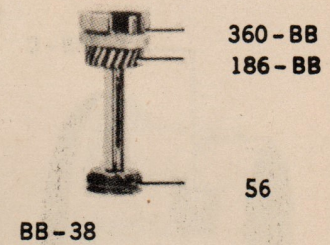
BB-27



D-130-BB



W-227-BB

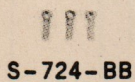


56

S-765-BB



S-729-BB



S-724-BB



C-483-BB



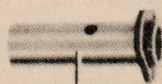
B-482-BB



294-BB



S-728-BB



B-246-BB



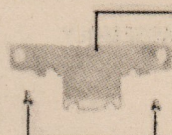
B-484-BB



B-323-BB



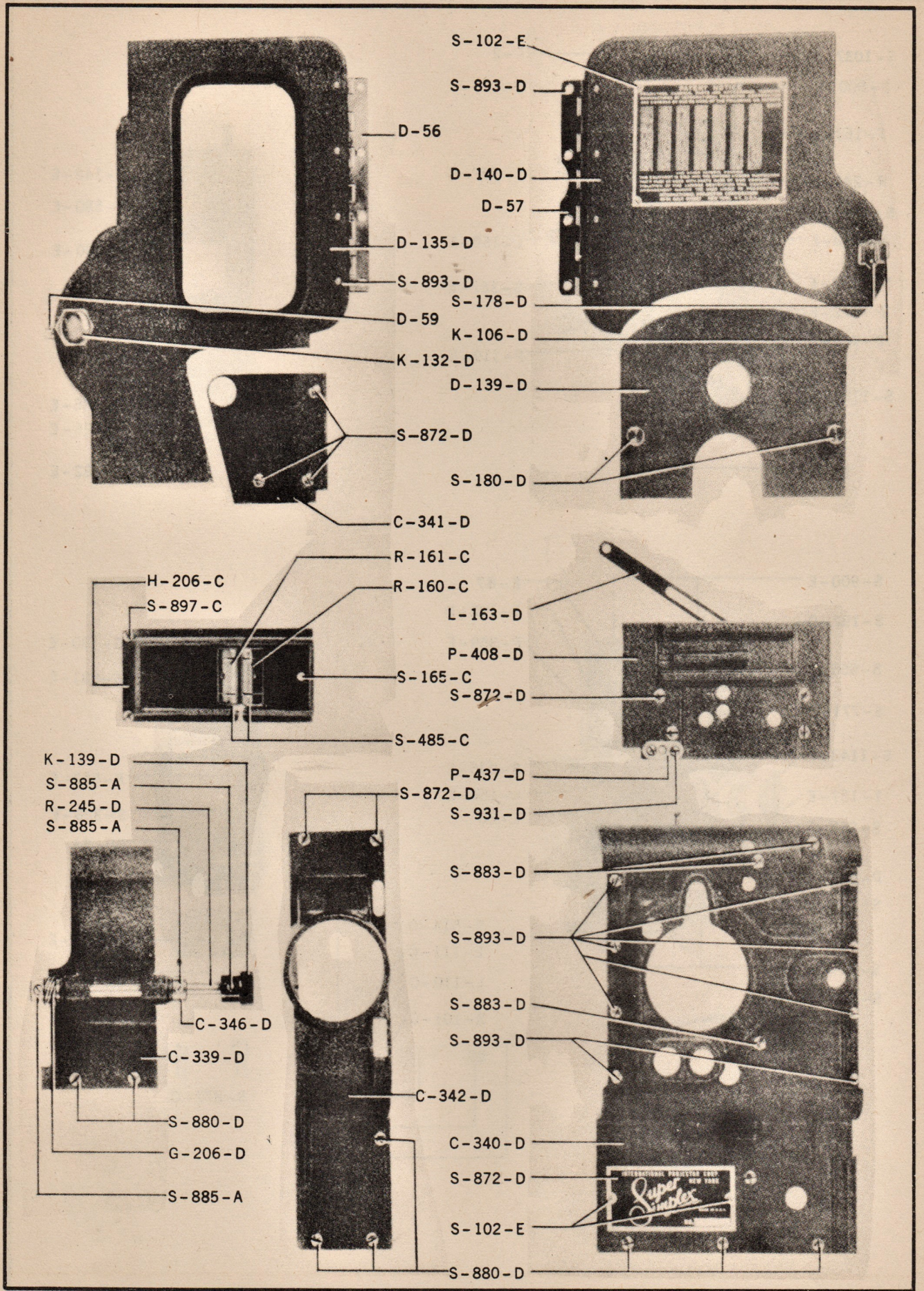
R-52



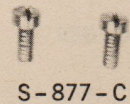
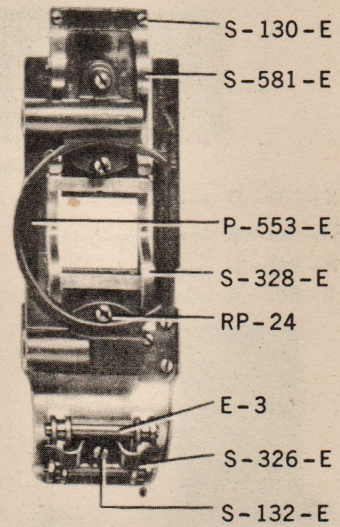
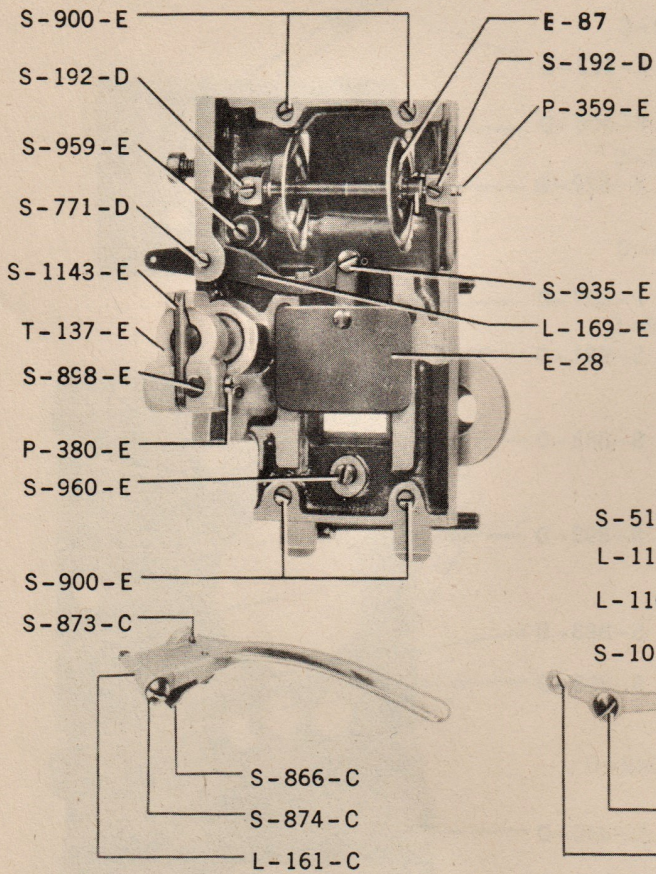
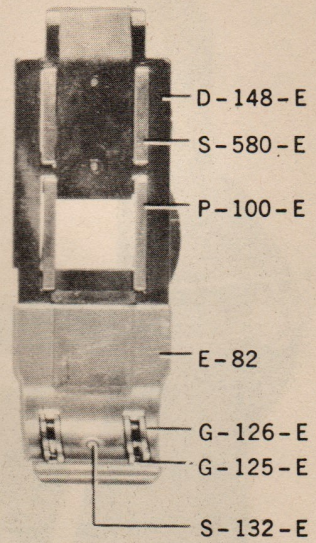
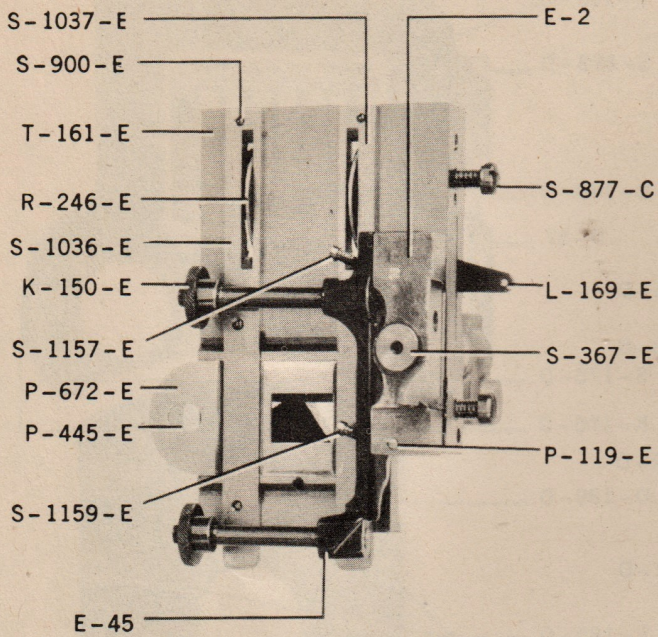
731-BB

432-E

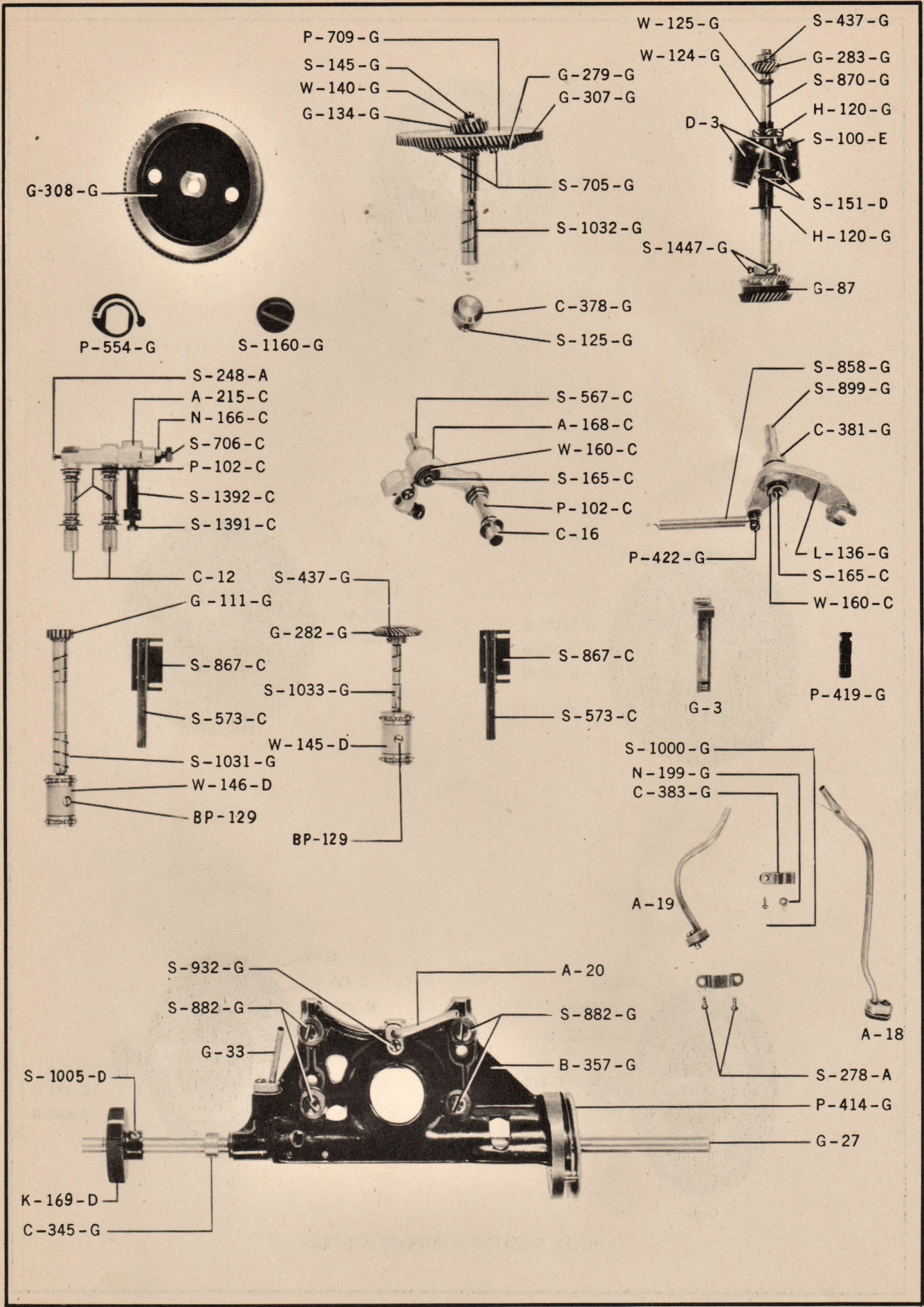




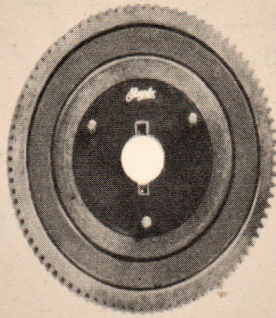




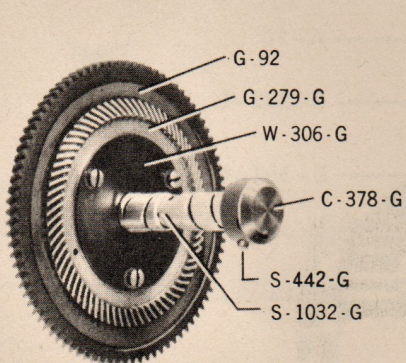
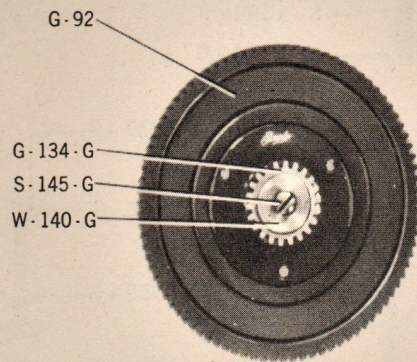
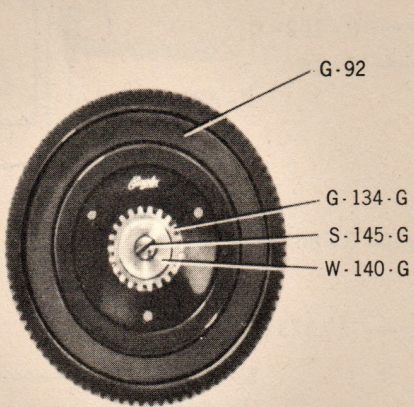




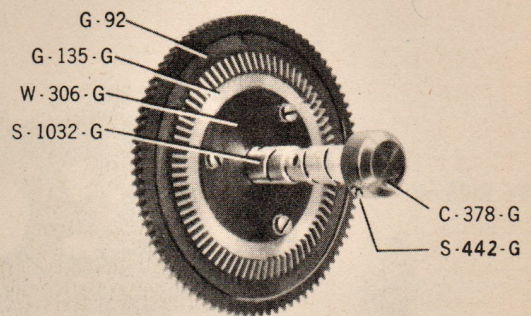




G-92



G-94



G-93

SIMPLEX SHOCKPROOF INTERMEDIATE GEAR



ORDER BY PART NUMBER

PART NO.	DESCRIPTION
A-16	INTERMITTENT CASE OIL TUBE*
A-17	SHUTTER ADJUSTING ROD
C-355-A	Shutter Adjusting Rod Collar
P-430-A	Shutter Adjusting Rod Pin
R-242-A	Shutter Adjusting Rod
A-18	MAIN DRIVE AND LOWER SPROCKET SHAFT OIL TUBE*
A-19	INTERMEDIATE VERTICAL SHAFT OIL TUBE*
A-20	VERTICAL SHAFT (UPPER END) OIL TUBE*
A-21	UPPER SPROCKET SHAFT OIL TUBE*
A-27	FRAMING CAM AND PINS*
A-30	MAIN DRIVE SHAFT*
C-498-A	Main Drive Shaft Collar
S-1507-A	Main Drive Shaft Collar Screw
A-168-C	Upper Pad Roller Arm
A-192-BB	Intermittent Case Cover and Arm
A-215-C	Takeup Sprocket Pad Roller Arm
B-106-G	Framing Slide Lever Block
B-246-BB	Flywheel Shaft Bearing
B-250-BB	Outer Bearing Oil Cup Ball
B-260-C	Upper Magazine Roller Holder Block Right (Mass.)
B-288-B	Door Opening Stop Bushing
B-293-A	Mechanism Base
B-296-C	Upper Magazine Roller Holder Block Left (Mass.)
B-297-E	Film Trap Bushing
B-314-G	Shutter Gear Bracket
B-316-D	Pilot Lamp Cable Bushing
B-323-BB	Star Wheel Shaft Inner Bearing
B-332-D	Shutter Blade (2)
B-341-D	Shutter Adjustable Blade
B-357-G	Back Shutter Bracket
B-437-D	Shutter Adjusting Blade for DD-67
B-438-D	Front Shutter Main Blade for DD-67
B-440-D	Front Shutter Guard Bracket
B-465-D	Rear Shutter Blade for DD-67
B-466-D	Back Shutter Bracket Ball Bearing
B-481-D	Spot Sight Box
B-482-BB	Star Wheel Shaft Outer Bearing
B-484-BB	Cam Shaft Bearing
B-485-D	Pilot Lamp Box
B-486-D	Pilot Lamp Bushing
B-489-D	Shutter Blade (3-Wing for Fan Blade)
B-490-D	Shutter Blade (3- Wing)

\* Component Parts Not Listed Are Not Sold Separately



## ORDER BY PART NUMBER

PART NO.	DESCRIPTION
BB-27	FLYWHEEL SHAFT AND GEAR
G-187-BB	Flywheel Shaft Gear
S-726-BB	Flywheel Shaft
BB-28	FLYWHEEL AND GEAR
G-185-BB	Flywheel Gear
W-191-BB	Flywheel
BB-30	FLYWHEEL LOCK NUT COMPLETE
K-130-BB	Flywheel Lock Key
N-171-BB	Flywheel Lock Nut
S-725-BB	Flywheel Lock Nut Screw
BB-31	OUTER STAR WHEEL SHAFT BEARING OIL CUP
B-250-BB	Outer Bearing Oil Cup Ball
C-296-BB	Outer Bearing Oil Cup
S-734-BB	Outer Bearing Oil Cup Spring
BB-34	INTERMITTENT CASE COVER AND ARM ASSEMBLED
A-192-BB	Case Cover and Bearing Arm
B-323-BB	Star Wheel Shaft Inner Bearing
B-482-BB	Star Wheel Shaft Outer Bearing
BB-31	Outer Star Wheel Shaft Bearing Oil Cup
BB-42	Intermittent Sprocket (Hardened)
C-295-BB	Star Wheel Shaft Collar
G-225-BB	Oil Sight Cork Gasket (2)
G-226-BB	Oil Sight (2)
G-317-BB	Oil Sight Gasket
N-204-BB	Oil Sight Nut (2)
P-350-BB	Intermittent Sprocket Pin (2)
P-353-BB	Case Retaining Clamp Pivot Pin (2)
S-177-E	Star Wheel Shaft Collar Set Screw (2)
S-432-E	Intermittent Sprocket Stripper Screw (2)
S-724-BB	Star Wheel Shaft Bearing Screw (6)
S-731-BB	Intermittent Sprocket Stripper
S-951-BB	Star Wheel and Shaft
W-328-BB	Star Wheel Outer Bearing Washer
BB-38	INTERMITTENT CAM COMPLETE*
BB-56	Cam Shaft Lock Nut
G-186-BB	Intermittent Cam Gear
P-360-BB	Intermittent Cam Pin
BB-42	INTERMITTENT SPROCKET AND PINS*
P-350-BB	Intermittent Sprocket Pin (2)
BB-56	CAM SHAFT LOCKNUT
BB-56	CAM SHAFT LOCK NUT
N-263-BB	Cam Shaft Lock Nut

\* Component Parts Not Listed Are Not Sold Separately



## ORDER BY PART NUMBER

PART NO.	DESCRIPTION
P-719-BB	Cam Shaft Lock Nut Plug
S-1515-BB	Cam Shaft Lock Nut Set Screw
<b>BB-57</b>	<b>INTERMITTENT OIL TUBE AND FLANGE*</b>
<b>BB-58</b>	<b>INTERMITTENT CASE AND OIL TUBE</b>
BB-57	Intermittent Oil Tube and Flange
G-211-G	Intermittent Oil Tube Gasket
S-932-G	Intermittent Oil Tube Flange Fastening Screw
<b>BB-59</b>	<b>INTERMITTENT OIL CUP AND VENT STRIP*</b>
<b>BBB</b>	<b>INTERMITTENT MOVEMENT COMPLETE</b>
BP-128	Pilot Lamp Wire Clamp
BP-129	Upper and Lower Sprocket Set Screw
BP-244	Pilot Light Cable Wire Safety Bushing
<b>C-9</b>	<b>GOVERNOR LIFT LEVER LINK</b>
L-110-C	Governor Lift Lever Link
L-111-C	Governor Lift Lever Connecting Link
S-101-C	Governor Lift Lever Connecting Link Pivot Screw
<b>C-15</b>	<b>UPPER MAGAZINE ROLLER HOLDER (MASS. REQUIREMENTS)</b>
B-260-C	Upper Magazine Roller Holder Block, Right
B-296-C	Upper Magazine Roller Holder Block, Left
P-374-C	Upper Magazine Roller Holder Front Plate, Right
P-426-C	Upper Magazine Roller Holder Front Plate, Left
P-427-C	Upper Magazine Roller Holder Back Plate
R-227-C	Upper Magazine Roller (4)
S-192-D	Side Plate Fastening Screw (Short) (2)
S-1500-C	Side Plate Fastening Screw (Long) (10)
<b>C-16</b>	<b>UPPER PAD ROLLER STUD AND KNOB*</b>
<b>C-17</b>	<b>UPPER MAGAZINE ROLLER HOLDER</b>
H-206-C	Upper Magazine Roller Holder
R-160-C	Small Magazine Roller (2)
R-161-C	Large Magazine Roller
S-485-C	Magazine Roller Screw (6)
<b>C-20</b>	<b>UPPER PAD ROLLER ARM COMPLETE</b>
A-168-C	Upper Pad Roller Arm
C-16	Upper Pad Roller Stud and Knob
N-166-C	Upper Pad Roller Arm Nut
P-102-C	Pad Roller
P-417-C	Upper Pad Roller Arm Plunger
S-248-A	Upper Pad Roller Stud Screw
S-706-C	Upper Pad Roller Arm Screw
S-852-C	Upper Pad Roller Arm Spring
S-869-C	Upper Pad Roller Arm Plunger Retain Screw

\* Component Parts Not Listed Are Not Sold Separately



ORDER BY PART NUMBER

PART NO.	DESCRIPTION	
C-21	LOWER PAD ROLLER ARM COMPLETE	
A-215-C	Lower Pad Roller Arm	
C-12	Lower Pad Roller Stud and Knob	(2)
N-166-C	Lower Pad Roller Arm Nut	
P-102-C	Pad Roller	(2)
S-248-A	Pad Roller Stud Screw	(2)
S-706-C	Pad Roller Arm Screw	
C-25	FILM TRAP DOOR TRIP LEVER	
L-161-C	Film Trap Door Trip Lever	
S-866-C	Film Trap Door Trip Lever Spring	
S-873-C	Trip Lever Spring Fastening Screw	(2)
C-26	LENS SLIDE ASSEMBLY	
F-156-C	Lens Slide Flange	
P-405-C	Lens Slide Guide Pin	(3)
P-415-C	Lens Slide Plate	
S-854-C	Lens Slide Spring	(3)
S-958-C	Lens Slide Guide Pin Screw	(3)
S-1013-C	Lens Slide	
C-43	LENS CARRIER ASSEMBLY	
C-44	Lens Carrier Adjusting Screw	
C-45	Lens Clamp Screw and Knob	(2)
C-416-C	Front Lens Carrier	
C-472-C	Back Lens Carrier	
K-136-C	Lens Carrier Adjusting Knob	
LA-501	Screw	(3)
N-194-C	Adjustable Flange Lock Nut	(2)
P-404-C	Lens Carrier Pivot	
P-418-A	Lens Carrier Support Dowel Pin	(2)
R-279-C	Lens Carrier Upper Guide Rod	
R-300-C	Lens Carrier Tie Rod	
RP-97	Lock Washer	
S-860-C	Lens Carrier Set Screw	(5)
S-885-A	Lens Carrier Knob Fastening Screw	
S-1169-C	Lens Carrier Support	
S-1438-C	Lens Slide Flange Spacer	
S-1452-C	Lens Carrier Support Friction Screw	
T-176-C	Lens Carrier Stop Tube	
W-311-C	Friction Screw Lock Washer	
C-44	LENS CARRIER ADJUSTING SCREW	
C-343-C	Lens Carrier Adjusting Stop Collar	
P-107-G	Stop Collar Taper Pin	
S-1166-C	Lens Carrier Adjusting Screw	
C-45	LENS CLAMP SCREW AND KNOB	(2)
K-140-C	Lens Clamp Screw Knob	(2)
P-430-A	Lens Clamp Screw Knob Taper Pin	(2)
S-1170-C	Lens Clamp Screw	(2)



## ORDER BY PART NUMBER

PART NO.	DESCRIPTION
C-59	LOWER PAD ROLLER ARM STUD
S-1391-C	Lower Pad Roller Arm Stud Screw
S-1392-C	Lower Pad Roller Arm Stud
C-127-E	Intermittent Film Guide Distance Collar (4)
C-193-G	Spiral Driving Gear Shaft Set Collar (2)
C-294-BB	Case Retaining Clamp (2)
C-295-BB	Star Wheel Shaft Collar
C-296-BB	Outer Bearing Oil Cup
C-339-D	Right Rear Cover
C-340-D	Front Cover
C-341-D	Right Cover
C-342-D	Left Back Cover
C-343-C	Lens Carrier Adjusting Stop Collar
C-344-G	Shutter Shaft Clamp Collar
C-345-G	Shutter Shaft Collar
C-346-D	Right Rear Cover Collar
C-347-D	Film Gate Opening Rod Collar
C-355-A	Shutter Adjusting Rod Collar
C-360-G	Oil Tube Fastening Clip
C-365-D	Right Door Glass Clamp (4)
C-366-D	Pilot Lamp Cable Clamp (Plated)
C-375-BB	Intermittent Case
C-378-G	Intermediate Shaft Retaining Collar
C-381-G	Framing Slide Lever Spacing Collar
C-383-D	Oil Tube Clamp
C-402-D	Shutter Guard Support Frame Oil Tube Clamp
C-416-C	Front Lens Carrier
C-417-D	Rear Shutter Guard Light Cap
C-418-D	Rear Shutter Guard Light Cap Ball Catch (2)
C-467-E	Lock Pawl Pivot Clamp
C-472-C	Back Lens Carrier
C-479-E	Glass Retaining Clip
C-483-BB	Cam Shaft Bearing Clamp
C-495-D	Pilot Lamp Box Cover
C-498-A	Main Drive Shaft Collar
CW-1	1 1/32" O.D. x 1/4" I.D. Flexible Conduit
D-2	GOVERNOR LIFT LEVER ASSEMBLY
L-105-D	Governor Lift Lever
S-493-D	Governor Lift Lever Screw
D-3	GOVERNOR WEIGHTS AND LINKS*
L-112-D	Governor Weight Link (2)
S-100-E	Governor Weight Link Screw (2)
D-56	OPERATING SIDE DOOR HINGE*
D-57	UPPER NON-OPERATING SIDE DOOR HINGE*
D-58	LOWER NON-OPERATING SIDE DOOR HINGE (OLD STYLE)*

\* Component Parts Not Listed Are Not Sold Separately



ORDER BY PART NUMBER

PART NO.	DESCRIPTION
D-59	RIGHT DOOR LOCK SPRING AND BUTTON*
D-64	SPOT SIGHT BOX ASSEMBLY
D-67	Spot Sight Box Only
G-220-D	Spot Sight Glass
L-186-E	Shutter Lift Lever
P-462-D	Cooling Plate
S-101-C	Spot Sight Glass Retaining Screw
S-151-C	Governor Link Holder Screw
S-248-A	Cooling Plate Fastening Screw (3)
S-961-D	Light Seal
S-962-D	Spot Sight Glass Tension Spring
S-987-D	Light Seal Fastening Screw (2)
D-67	SPOT SIGHT BOX ONLY
B-481-D	Box (Regular and Super)
S-278-A	Upper Rear Friction Spring Screw
S-1401-D	Shutter Lift Lever Support (Super)
D-68	SHUTTER GUARD BRACKET COMPLETE
B-288-E	Door Opening Stop Bushing
C-347-D	Film Gate Opening Rod Collar
C-402-D	Shutter Guard Support Frame Oil Tube Clamp
D-138-D	Framing Gear Friction Disc
F-168-D	Framing Gear Flange
F-172-D	Shutter Guard Support Frame
G-25	Lock Nut and Screw
G-204-D	Framing Gear
K-137-D	Framing Gear Handle Knob (2)
L-162-D	Film Trap Door Opening Lever
L-177-D	Film Gate Lever
R-240-D	Framing Gear Friction Ring
R-255-D	Cover Holding Support Rod (3)
R-257-D	Framing Gear Handle Rod
R-264-D	Film Gate Opening Rod
S-884-D	Door Opening Lever Stop Screw
S-886-D	Door Opening Stop Screw
S-893-D	Framing Gear Fastening Screw
S-897-C	Framing Gear Friction Ring Screw
S-902-D	Shutter Guard Rod Fastening Screw (3)
S-978-D	Friction Device Spring
S-987-D	Oil Tube Clamp Fastening Screw
S-1414-D	Shutter Adjusting Slide Holding Screw (2)
T-170-D	Support Frame Oil Tube
W-223-D	Friction Device Washer (2)
D-69	RIGHT REAR COVER COMPLETE (DRUM)
C-339-D	Right Rear Cover
C-346-D	Right Rear Cover Collar
G-206-D	Shutter Adjusting Gear (Small)

\* Component Parts Not Listed Are Not Sold Separately



## ORDER BY PART NUMBER

PART NO.	DESCRIPTION	
K-139-D	Shutter Knob	
R-162-D	Right Rear Cover Stripper Roller	
R-245-D	Shutter Adjusting Rod	
S-185-D	Operating Side Door Lock Stop Screw	
S-771-D	Stripper Roller Screw	(2)
S-885-A	Shutter Adjusting Gear Screw	(3)
<b>D-70</b>	<b>TOP PLATE ASSEMBLY</b>	
L-163-D	Upper Non-Operating Side Door Stop Link	
P-408-D	Top Plate	
P-437-D	Upper Sprocket Shaft Oil Tube Fastening Plate	
P-438-D	Upper Sprocket Shaft Oil Tube Packing	
S-106-D	Stereo Slide Stop Screw	
S-181-D	Upper Non-Operating Side Door Stop Link Screw	
S-931-D	Oil Tube Fastening Plate Screw	(2)
<b>D-71</b>	<b>OPERATING SIDE DOOR</b>	
C-365-D	Operating Side Door Glass Clamp	(4)
D-56	Operating Side Door Hinge	
D-135-D	Operating Side Door	
G-207-D	Operating Side Door Glass	
K-132-D	Operating Side Door Knob	
S-192-D	Operating Side Door Glass Clamp Screw	(4)
S-248-A	Operating Side Door Knob Fastening Screw	(2)
S-893-D	Operating Side Door Hinge Fastening Screw	(4)
<b>D-72</b>	<b>UPPER NON-OPERATING SIDE DOOR</b>	
D-57	Upper Non-Operating Side Door Hinge	
D-140-D	Upper Non-Operating Side Door	
K-106-D	Upper Non-Operating Side Door Knob	
P-144-D	Door Lock Pin	
P-153-A	Door Lock Plunger Pin	
S-178-D	Door Knob Screw	(2)
S-338-D	Door Lock Pin Spring	
S-893-D	Door Hinge Fastening Screw	(4)
<b>D-74</b>	<b>SHUTTER GUARD (FRONT)</b>	
DD-4	Spot Sight Box Mount Assembly	
DD-85	Rear Shutter Guard (Front)	
P-562-D	Shutter Guard Holding Support Plate	(3)
S-885-A	Support Plate Fastening Screw	(6)
S-966-D	Shutter Guard Holding Support	(3)
<b>D-75</b>	<b>SHUTTER GUARD (REAR)</b>	
G-322-D	Shutter Guard (Rear)	
P-562-D	Shutter Guard Holding Support Plate	(3)
S-885-A	Support Plate Fastening Screw	(6)
S-966-D	Shutter Guard Holding Support	(3)
<b>D-76</b>	<b>SHUTTER GUARD (FRONT) STEREO</b>	
DD-4	Spot Sight Box Mount Assembly	
DD-84	Shutter Guard (Front) Stereo	



ORDER BY PART NUMBER

PART NO.	DESCRIPTION	
P-562-D	Shutter Guard Holding Support Plate	(3)
S-885-A	Holding Support Plate Fastening Screw	(6)
S-966-D	Shutter Guard Holding Support	(3)
D77	SHUTTER GUARD (REAR) STEREO	
G-324-D	Shutter Guard (Rear) Stereo	
P-562-D	Shutter Guard Holding Support Plate	(3)
S-885-A	Holding Support Plate Fastening Screw	(6)
S-966-D	Shutter Guard Holding Support	(3)
D-89	TWO WING ADJUSTABLE SHUTTER	
B-332-D	Shutter Blade	(2)
B-341-D	Shutter Adjustable Blade	
S-106-D	Shutter Blade Screw	(6)
S-192-D	Shutter Fastening Screw	(2)
S-1045-D	Shutter	
W-231-D	Shutter Blade Screw Washer	(6)
D-95	SHUTTER SPIDER*	
S-1026-D	Shutter Spider Clamp Screw	(2)
D-99	TWO WING ADJUSTABLE SHUTTER AND SPIDER	
D-89	Two Wing Adjustable Shutter	
D-95	Shutter Spider	
S-192-D	Shutter Fastening Screw	(5)
D-130-BB	Oil Deflector	
D-135-D	Operating Side Door	
D-138-D	Framing Gear Friction Disc	
D-139-D	Lower Left Door	
D-140-D	Upper Non-Operating Side Door	
D-145-E	Film Trap Door	
D-148-E	Removable Door	
DD-4	SPOT SIGHT BOX MOUNT	
P-543-D	Spot Sight Box Plate	
R-274-D	Spot Sight Box Guide Rail	(2)
RP-190		
S-248-A	Spot Sight Box Fastening Screw	
S-987-D	Spot Sight Box Guide Rail Fastening Screw	
S-1134-D	Spot Sight Box Upper Retaining Strip	
S-1135-D	Spot Sight Box Lower Retaining Strip	
S-1136-D	Spot Sight Box Retaining Spring	
S-1137-D	Spot Sight Box Retaining Spring Screw	
S-1138-D	Spot Sight Box Assembly Screw	
S-1139-D	Spot Sight Box Stop Screw	
DD-5	BACK SHUTTER GREASE TUBE AND CUP*	
DD-6	BACK SHUTTER BRACKET SELF ALIGNING BALL BEARING	
B-466-D	Back Shutter Bracket Ball Bearing	

\* Component Parts Not Listed Are Not Sold Separately



ORDER BY PART NUMBER

PART NO.	DESCRIPTION	
G-28	Shutter Shaft Clamp	
H-251-D	Back Shutter Bracket Ball Bearing Housing	
S-1130-D	Shutter Guard Support Frame Fastening Screw (2)	
S-1131-D	Back Shutter Bracket Ball Bearing Housing Fastening Screw (2)	
W-208-G	Thrust Washer	
<b>DD-23</b>	<b>REAR SHUTTER GUARD LIGHT CAP</b>	
C-417-D	Rear Shutter Guard Light Cap	
C-418-D	Rear Shutter Guard Light Cap Ball Catch (2)	
<b>DD-58</b>	<b>REAR SHUTTER GUARD LIGHT CAP</b>	
<b>DD-59</b>	<b>FRONT SHUTTER UPPER MOUNTING PLATE AND STUD</b>	
P-679-D	Front Shutter Upper Mounting Plate	
S-1399-D	Front Shutter Guard Stud (2)	
<b>DD-60</b>	<b>FRONT SHUTTER LOWER MOUNTING PLATE AND STUD</b>	
P-680-D	Front Shutter Lower Mounting Plate	
S-1399-D	Front Shutter Guard Stud (2)	
<b>DD-61</b>	<b>SHUTTER SPIDER AND CLAMP SCREW</b>	
S-1026-D	Shutter Spider Clamp Screw (2)	
S-1453-D	Shutter Spider	
<b>DD-62</b>	<b>REAR SHUTTER (FOR DD-67)</b>	
B-332-D	Shutter Fan Blade (2)	
B-437-D	Shutter Adjusting Blade	
B-465-D	Rear Shutter Blade	
RP-16	Nut (2)	
RP-17	Screw (2)	
S-132-E	Screw (6)	
W-231-D	Washer (12)	
<b>DD-63</b>	<b>FRONT SHUTTER (FOR DD-67)</b>	
B-437-D	Front Shutter Adjusting Blade	
B-438-D	Front Shutter Main Blade	
DD-61	Shutter Spider and Clamp Screws	
RP-16	Nut (2)	
RP-17	Screw (2)	
S-192-D	Screw (5)	
<b>DD-67</b>	<b>DOUBLE SHUTTER ATTACHMENT</b>	
B-440-D	Front Shutter Guard Bracket (6)	
C-479-E	Fire Shield Hood Glass Retaining Clip (3)	
DD-58	Rear Shutter Guard Light Cap	
DD-59	Front Shutter Upper Mounting Plate and Stud	
DD-60	Front Shutter Lower Mounting Plate and Stud	
DD-62	Rear Shutter	
DD-63	Front Shutter	
DD-70	Accessory Kit	
DD-86	Front Shutter Guard (Front)	
G-292-E	Fire Shield Hood Glass	



ORDER BY PART NUMBER

PART NO.	DESCRIPTION	
G-320-D	Front Shutter Guard (Rear)	
H-246-E	Fire Shield Hood Glass Holder	
N-245-D	Front Shutter Guard Stud Nut	(4)
P-562-D	Shutter Guard Holding Support Plate	(6)
P-660-D	Front Shutter Guard Strap Plate	(2)
P-663-E	Fire Shield Hood Plate	
R-299-D	Front Shutter Guard Support Rod	(3)
R-303-E	Fire Shield Hood Glass Holder Retainer	
RP-22	Screw	(4)
RP-98	Screw	(4)
RP-132	Screw	(3)
S-132-E	Screw	(3)
S-257-G	Screw	(4)
S-885-A	Screw	(15)
S-989-G	Lock Nut Set Screw	(6)
S-1400-D	Front Shutter Guard Support	
S-1422-D	Front Shutter Guard Strip	
S-1430-E	Fire Shield Hood Slide Pressure Spring	(2)
S-1441-D	Front Shutter Guard Strap Screw	(2)
S-1454-D	Front Shutter Mounting Plate Fastening Screw	(2)
W-298-D	Front Shutter Guard Stud Washer	(4)
DD-70	ACCESSORY KIT FOR DD-67	
H-242-R	Shutter Aligning Rod Holder	
I-114-R	Movement Indicator	
K-168-C	Lens Carrier Adjusting Knob	
R-301-R	Shutter Aligning Rod	
S-1404-R	Aligning Rod Holding Screw	
S-1491-C	Lens Carrier Adjusting Knob Screw	
W-317-D	Washer	(4)
WD-162	Instruction Sheet	
DD-73	PILOT LAMP ASSEMBLY	
B-316-D	Pilot Lamp Cable Bushing	
B-485-D	Pilot Lamp Box	
B-486-D	Pilot Lamp Bushing	
BP-244	Pilot Lamp Cable Wire Safety Bushing	
C-366-D	Pilot Lamp Cable Clamp (Plated)	
C-495-D	Pilot Lamp Box Cover	
CW-1	11/32" O.D. x 1/4" I.D. Flexible Conduit (4 feet)	
EW-187	#18 Rockbestos Type A.F. Asbestos Fixture Wire (4 feet 7 inches)	
N-197-D	Pilot Lamp Cable Clamp Nut (Steel)	
N-259-D	Pilot Lamp Nut	
N-260-D	Nut	
S-973-D	Pilot Lamp Cable Clamp Fastening Screw	
S-1069-D	Pilot Lamp Cable Clamp Screw	
S-1372-D	Heat Plate Fastening Screw	
S-1502-D	Pilot Lamp Switch	
S-1503-D	Pilot Lamp Socket	
S-1504-D	Pilot Lamp Shield	
S-1505-D	Pilot Lamp Fastening Screw	(2)
TA-118	AC Supply Plug	



ORDER BY PART NUMBER

PART NO.	DESCRIPTION
W-319-D	Pilot Lamp Washer
W-326-D	Pilot Lamp Cable Clamp Washer
DD-77	THREE WING REAR SHUTTER
B-332-D	Shutter Fan Blade
B-489-D	Shutter Blade
S-106-D	Shutter Fan Clamp Screw
W-231-D	Shutter Fan Blade Screw Washer
DD-84	REAR SHUTTER GUARD (FRONT) STEREO*
DD-85	REAR SHUTTER GUARD (FRONT)*
DD-86	FRONT SHUTTER GUARD (FRONT)*
DD-87	THREE-WING REAR SHUTTER KIT
DD-77	Rear Shutter
B-490-D	Rear Shutter Blade
E-2	FILM TRAP DOOR HOLDER*
P-119-E	Film Trap Door Holder Pin (2)
P-545-E	Film Trap Door Holder Stud Retaining Pin
S-367-E	Film Trap Door Holder Stud
W-148-E	Film Trap Door Holder Stud Distance Washer
E-3	INTERMITTENT FILM GUIDE ASSEMBLY
C-127-E	Intermittent Film Guide Distance Collar (4)
G-125-E	Intermittent Film Guide (Inside) (2)
G-126-E	Intermittent Film Guide (Outside) (2)
S-665-E	Intermittent Film Guide Stud (2)
S-1511-E	Intermittent Film Guide Stud Screw (4)
E-28	AUTOMATIC FIRE SHUTTER*
L-169-E	Automatic Fire Shutter Lift Lever
E-30	LATERAL GUIDE ROLLER AND SHAFT ASSEMBLY
E-87	Lateral Guide Roller and Shaft
R-246-E	Lateral Guide Roller
R-311-E	Lateral Guide Roller Washer Retainer
S-762-E	Lateral Guide Roller Spring
W-198-E	Lateral Guide Roller Spring Retainer Washer
E-36	SUPER SIMPLEX FILM TRAP COMPLETE (SLIP-IN APERTURE TYPE)
E-2	Film Trap Door Holder
E-28	Automatic Fire Shutter
E-30	Lateral Guide Roller and Shaft Assembly

\* Component Parts Not Listed Are Not Sold Separately



ORDER BY PART NUMBER

PART NO.	DESCRIPTION
E-48	Film Trap Removable Door and Bracket
E-80	Film Trap (Slip-in Type)
L-169-E	Automatic Fire Shutter Lift Lever
L-171-E	Shutter Lift Lever (Pilot)
P-359-E	Lateral Guide Roller Pivot (2)
P-380-E	Film Trap Door Lock Pawl Pivot
P-445-E	Aperture Plate Sliding Shim
P-544-E	Film Trap Door Lock Plunger
P-672-E	Aperture Plate (Slip-in Type) Square Corners
S-278-A	Lower Pad Roller Arm Spring Fastening Screw (2)
S-327-E	Film Trap Door Holder Spring
S-771-D	Right Rear Cover Stripper Roller Screw
S-898-E	Film Trap Bushing Fastening Screw
S-900-E	Film Trap Shoe Retaining Screw (6)
S-935-E	Automatic Fire Shutter Lift Link Screw
S-959-E	Automatic Fire Shutter Upper Stop Screw
S-960-E	Automatic Fire Shutter Lower Stop Screw
S-1036-E	Film Trap Right Shoe (Slip-in Aperture Type)
S-1037-E	Film Trap Left Shoe (Slip-in Aperture Type)
S-1143-E	Film Trap Door Lock Trigger Support
S-1144-E	Film Trap Door Lock Plunger Spring
S-1145-E	Film Trap Door Lock Fastening Screw
S-1401-D	Shutter Lift Lever Support
T-101-E	Film Trap Door Holder Thimble
T-137-E	Film Trap Door Lock Trigger
E-38	DOUBLE TENSION GATE (SUBSTITUTE FOR E-48)
D-145-E	Film Trap Door
E-3	Intermittent Film Guide Assembly
E-82	Film Trap Door Film Guide Holder
P-100-E	Film Trap Door Pad
P-436-E	Film Trap Door Protector
S-130-E	Film Trap Door Film Guide Holder Fastening Screw (4)
S-132-E	Intermittent Film Guide Retaining Spring Screw
S-192-D	Film Trap Door Protector Fastening Screw (2)
S-326-E	Intermittent Film Guide Retaining Spring
S-328-E	Film Trap Door Pad Spring
S-580-E	Film Trap Door Double Tension Shoe (2)
S-581-E	Film Trap Door Double Tension Shoe Spring
E-45	REMOVABLE DOOR LOCATING BRACKET AND STUD*
E-48	FILM TRAP REMOVABLE DOOR AND BRACKET
D-148-E	Removable Door
E-3	Intermittent Film Guide Assembly
E-45	Removable Door Locating Bracket and Stud Assembly
E-82	Removable Door Film Guide Holder
K-150-E	Removable Door Clamping Knob (2)
P-100-E	Removable Door Pad
P-553-E	Removable Door Protector

\* Component Parts Not Listed Are Not Sold Separately



## ORDER BY PART NUMBER

PART NO.	DESCRIPTION
RP-24	Removable Door Protector Fastening Screw (3)
S-130-E	Removable Door Pad Spring Fastening Screw (4)
S-132-E	Intermittent Film Guide Retaining Spring Screw
S-326-E	Intermittent Film Guide Retaining Spring
S-328-E	Removable Door Pad Spring
S-580-E	Removable Door Double Tension Shoe (2)
S-581-E	Removable Door Double Tension Shoe Spring
S-1157-E	Removable Door Support Bracket Screw (long)
S-1159-E	Removable Door Support Bracket Screw (short)
E-51	AUTOMATIC FIRE SHUTTER LIFT LEVER AND BUSHING*
E-54	SUPER SIMPLEX FILM TRAP COMPLETE (FIXED APERTURE TYPE)
E-2	Film Trap Door Holder
E-28	Automatic Fire Shutter
E-30	Lateral Guide Roller and Shaft Assembly
E-48	Film Trap Removable Door and Bracket
E-80	Film Trap (Slip-in Type)
L-169-E	Automatic Fire Shutter Lift Lever
P-359-E	Lateral Guide Rollar Pivot (2)
P-380-E	Film Trap Door Lock Pawl Pivot
P-544-E	Film Trap Door Lock Plunger
P-671-E	Aperture Plate (Square Corners)
S-192-D	Film Trap Door Protector Fastening Screw (2)
S-278-A	Lower Pad Roller Arm Spring Fastening Screw (2)
S-327-E	Film Trap Door Holder Spring
S-434-E	Aperture Plate Fastening Screw (2)
S-771-D	Right Rear Cover Stripper Roller Screw
S-898-E	Film Trap Door Lock Pawl Pivot Lock Screw
S-900-E	Film Trap Shoe Retaining Screw (6)
S-935-E	Automatic Fire Shutter Lift Link Screw
S-959-E	Automatic Fire Shutter Upper Stop Screw
S-960-E	Automatic Fire Shutter Lower Stop Screw
S-1036-E	Film Trap Right Shoe (Slip-in Aperture Type)
S-1037-E	Film Trap Left Shoe (Slip-in Aperture Type)
S-1143-E	Film Trap Door Lock Trigger Support
S-1144-E	Film Trap Door Lock Plunger Spring
S-1145-E	Film Trap Door Lock Fastening Screw
S-1361-E	Aperture Spacing Plate
S-1401-D	Shutter Lift Lever Support
T-101-E	Film Trap Door Holder Thimble
T-137-E	Film Trap Door Lock Trigger
E-75	AIR DEFLECTOR AND APERTURE COOLING UNIT (3)
C-497-E	Glass Retaining Clip
DD-58	Rear Shutter Light Cap Assembly (Cut out)
G-292-E	Air Deflector Glass
H-246-E	Air Deflector Glass Holder
P-663-E	Air Deflector Plate
R-303-E	Air Deflector Glass Holder Retainer

\*Component Parts Not Listed Are Not Sold Separately



## ORDER BY PART NUMBER

PART NO.	DESCRIPTION	
RP-22	Air Deflector Plate Screw	(4)
RP-98	Air Deflector Slide Pressure Spring Screw	(4)
RP-132	Screw	
S-132-E	Air Deflector Glass Retaining Clip Screw	(3)
S-1430-E	Air Deflector Slide Pressure Spring	(2)
E-80	<b>FILM TRAP (SLIP-IN TYPE)</b>	
B-297-E	Film Trap Bushing	
P-650-E	Film Trap Plug	
S-898-E	Film Trap Bushing Fastening Screw	(2)
T-161-E	Film Trap (Slip-in Type)	
E-82	<b>FILM GUIDE HOLDER ASSEMBLY*</b>	
N-261-E	Removable Door Film Guide Holder Stud Nut	(4)
E-87	<b>LATERAL GUIDE ROLLER AND SHAFT*</b>	
R-311-E	Lateral Guide Roller Washer Retainer	
W-198-E	Lateral Guide Roller Retaining Washer	
EA-116	Exciter Lamp Base Contact Screw	
EW-187	Rockbestos Fixture Wire	
F-156-C	Lens Slide Flange	
F-162-A	Main Frame	
F-168-D	Framing Gear Flange	
F-172-D	Shutter Guard Support Frame	
G-3	<b>FRAMING SLIDE ARM</b>	
G-7	Framing Slide Arm and Shoe	
P-127-G	Framing Slide Arm and Roller Pin	
R-128-G	Framing Slide Arm Roller	
G-4	<b>FRAMING SLIDE</b>	
B-106-G	Framing Slide Lever Block	
P-128-G	Framing Slide Lever Pin	
S-321-G	Framing Slide	
G-5	<b>BEVEL GEAR AND SHAFT</b>	
C-193-G	Bevel Gear Drive Shaft Collar	
G-115-G	Bevel Gear	
S-436-G	Collar Set Screw	
S-1082-G	Bevel Gear Drive Shaft	
G-7	<b>FRAMING ARM AND SHOE ASSEMBLY*</b>	
G-12	<b>INTERMEDIATE GEAR (FORMICA) AND PLATE*</b>	
G-24	<b>VERTICAL SHAFT AND DOUBLE BEVEL GEAR</b>	
G-87	Double Bevel Gear with Taper Pin	
P-368-G	Double Bevel Gear Taper Pin	
S-870-G	Vertical Shaft (Taper Pin Type)	

\* Component Parts Not Listed Are Not Sold Separately



ORDER BY PART NUMBER

PART NO.	DESCRIPTION
G-25	LOCK NUT AND SCREW
N-198-G	Friction Device Lock Nut
S-989-G	Friction Device Lock Nut Set Screw
G-27	SHUTTER SHAFT AND GEAR
C-345-G	Shutter Shaft Collar
G-203-G	Shutter Gear
P-107-G	Shutter Gear Pin
P-182-G	Shutter Shaft Collar Pin
S-934-G	Shutter Shaft
G-28	SHUTTER SHAFT CLAMP
C-344-G	Shutter Shaft Clamp Collar
S-257-G	Shutter Shaft Clamp Collar Screw
G-30	SHUTTER GEAR BRACKET WITH STRAIGHT BEVEL GEAR
B-314-G	Shutter Gear Bracket
C-193-G	Spiral Driving Gear Shaft Set Collar (2)
G-4	Framing Slide
G-115-G	Shutter Driving Bevel Gear
G-116-G	Spiral Driving Gear (Broached Hole)
G-248-G	Shutter Spiral Gear (Formica)
R-120-G	Framing Slide Guide Rod
S-141-A	Focusing Slide Set Screw
S-436-G	Spiral Driving Gear Shaft Set Collar Fastening Screw (2)
S-437-G	Shutter Spiral Gear Fastening Screw
S-871-G	Shutter Gear Shaft
S-1082-G	Spiral Driving Gear Shaft
W-105-B	Shutter Driving Bevel Gear Thrust Washer
G-32	SHUTTER GEAR BRACKET OIL TUBE AND FLANGE (FRONT END)*
G-33	BACK SHUTTER BRACKET OIL TUBE*
G-34	INTERMEDIATE GEAR SHAFT AND STRAIGHT BEVEL GEAR*
C-378-G	Intermediate Shaft Retaining Collar
G-134-G	Intermediate Gear (Steel)
G-135-G	Intermediate Bevel Gear
S-125-B	Intermediate Shaft Retaining Collar Set Screw
S-145-G	Intermediate Gear Washer Retaining Screw
S-705-G	Intermediate Gear-Screw (3)
S-1032-G	Intermediate Shaft
W-140-G	Intermediate Gear Retaining Washer
W-306-G	Intermediate Bevel Gear Washer
G-35	LOWER SPROCKET SHAFT AND GEAR
G-111-G	Lower Sprocket Shaft
S-1031-G	Lower Sprocket Shaft
W-114-G	Lower Sprocket Shaft Washer

\* Component Parts Not Listed Are Not Sold Separately



ORDER BY PART NUMBER

PART NO.	DESCRIPTION
G-37	BACK SHUTTER BRACKET*
P-466-G	Shutter Guard Support Frame Dowel Pin (2)
G-39	SHUTTER GEAR BRACKET OIL TUBE*
G-44	SHUTTER BRACKET OIL TUBE (REAR)*
G-45	SHUTTER BRACKET REAR OIL TUBE ASSEMBLY
BP-128	Pilot Lamp Wire Clamp
G-44	Shutter Bracket Rear Oil Tube
G-211-G	Oil Tube Gasket
S-932-G	Oil Tube Flange Fastening Screw
G-65	SPIRAL DOUBLE BEVEL GEAR AND SHAFT ASSEMBLY
G-87	Double Spiral Bevel Gear and Clamp
S-870-G	Vertical Shaft
G-73	SPIRAL BEVEL GEAR AND SHAFT
C-193-G	Drive Shaft Collar
G-278-G	Spiral Bevel Gear
S-436-G	Collar Set Screw
S-1082-G	Spiral Bevel Gear Drive Shaft
G-74	INTERMEDIATE GEAR, SHAFT AND SPIRAL BEVEL GEAR
C-378-G	Intermediate Shaft Retaining Collar
G-12	Intermediate Gear and Plate
G-134-G	Intermediate Gear (Steel) (Outside)
G-279-G	Intermediate Spiral Bevel Gear
S-145-G	Intermediate Gear Washer Retaining Screw
S-442-G	Intermediate Shaft Collar Set Screw
S-1032-G	Intermediate Shaft
W-140-G	Intermediate Gear Retaining Washer
G-78	SHUTTER GEAR BRACKET WITH SPIRAL BEVEL GEAR
B-314-G	Shutter Gear Bracket
C-193-G	Spiral Driving Gear Shaft Set Collar (2)
G-4	Framing Slide
G-116-G	Spiral Driving Gear (Broached Hole)
G-248-G	Shutter Spiral Gear (Formica)
G-278-G	Shutter Driving Spiral Bevel Gear
R-120-G	Framing Slide Guide Rod
S-436-G	Spiral Drive Gear Shaft Collar Screw (2)
S-871-G	Shutter Gear Shaft
S-1082-G	Shutter Driving Gear Shaft
S-1248-G	Shutter Spiral Gear Headless Set Screw
W-105-B	Shutter Driving Gear Thrust Washer
G-87	DOUBLE SPIRAL BEVEL GEAR AND CLAMP*
S-1447-G	Clamp Collar Screw (3)
G-92	SHOCKPROOF INTERMEDIATE GEAR AND PLATE*

\* Component Parts Not Listed Are Not Sold Separately



ORDER BY PART NUMBER

PART NO.	DESCRIPTION
G-307-G	Shockproof Intermediate Gear
P-709-G	Intermediate Gear Plate
S-705-G	Intermediate Gear Screw (3)
G-93	<b>SHOCKPROOF INTERMEDIATE GEAR AND SHAFT WITH STRAIGHT BEVEL GEAR</b>
C-378-G	Intermediate Shaft Retain Collar
G-92	Intermediate Gear and Plate
G-134-G	Intermediate Gear (Small) (Outside)
G-135-G	Intermediate Straight Bevel Gear
S-125-B	Intermediate Shaft Collar Screw
S-145-G	Intermediate Gear Washer Retain Screw
S-1032-G	Intermediate Shaft
W-140-G	Intermediate Gear Retain Washer
W-306-G	Intermediate Gear Washer
G-94	<b>SHOCKPROOF INTERMEDIATE GEAR AND SHAFT WITH SPIRAL BEVEL GEAR</b>
C-378-G	Intermediate Shaft Retain Collar
G-92	Intermediate Gear and Plate
G-134-G	Intermediate Gear (Small) (Outside)
G-279-G	Intermediate Spiral Bevel Gear
S-145-G	Intermediate Gear Washer Retaining Screw
S-442-G	Intermediate Shaft Collar Screw
S-1032-G	Intermediate Shaft
W-140-G	Intermediate Gear Retain Washer
W-306-G	Intermediate Gear Washer
G-111-G	Lower Sprocket Shaft Gear
G-115-G	Shutter Driving Bevel Gear
G-116-G	Spiral Driving Gear (Broached Hole)
G-125-E	Intermittent Film Guide (Inside) (2)
G-126-E	Intermittent Film Guide (Outside) (2)
G-134-G	Intermediate Gear (Steel)
G-135-G	Intermediate Bevel Gear
G-138-G	Vertical Shaft Top Straight Bevel Gear
G-139-G	Upper Sprocket Shaft Straight Bevel Gear
G-185-BB	Flywheel Gear
G-186-BB	Intermittent Cam Gear
G-187-BB	Flywheel Shaft Gear
G-188-BB	Oil Gasket
G-202-A	Shutter Adjusting Slide Gib
G-203-G	Shutter Gear
G-204-D	Framing Gear
G-205-A	Shutter Adjusting Gear (Large)
G-206-D	Shutter Adjusting Gear (Small)
G-207-D	Operating Side Door Glass
G-211-G	Oil Tube Gasket (4)
G-220-D	Spot Sight Glass
G-225-BB	Oil Sight Cork Gasket (2)
G-226-BB	Oil Sight (2)
G-248-G	Shutter Spiral Gear (Formica)
G-278-G	Shutter Driving Spiral Bevel Gear
G-279-G	Intermediate Spiral Bevel Gear
G-282-G	Upper Sprocket Shaft Spiral Bevel Gear



## ORDER BY PART NUMBER

PART NO.	DESCRIPTION
G-283-G	Top Sprocket Shaft Driving Spiral Bevel Gear
G-292-E	Air Deflector Glass
G-307-G	Intermediate Gear
G-308-G	Main Drive Gear
G-317-BB	Oil Sight Gasket
G-320-D	Front Shutter Guard (Rear for DD-67)
G-322-D	Rear Shutter Guard (Rear)
G-324-D	Rear Shutter Guard (Rear, Stereo)
GA-107	Oil Cup
GG-2	SHUTTER SHAFT AND OIL CUP*
C-494-G	Oil Cup
S-1489-G	Shutter Shaft
H-120-G	Governor Lower Link Holder
H-121-G	Governor Upper Link Holder
H-206-C	Upper Magazine Roller Holder
H-242-R	Shutter Aligning Rod Holder
H-243-R	Fire Shield Hood
H-246-E	Air Deflector Glass Holder
H-251-D	Back Shutter Bracket Ball Bearing Housing
I-114-R	Intermittent Movement Indicator
K-106-D	Upper Non-Operating Side Door Knob
K-130-BB	Flywheel Lock Key
K-132-D	Right Door Knob
K-136-C	Lens Carrier Adjusting Knob
K-137-D	Framing Gear Handle Knob (2)
K-139-D	Shutter Knob
K-140-C	Lens Clamp Screw Knob (2)
K-141-D	Shutter Cover Holding Rod Knob (3)
K-150-E	Removable Door Clamping Knob (2)
K-168-C	Lens Carrier Adjusting Knob
K-169-D	Shutter Shaft Knob
L-105-D	Governor Lift Lever
L-110-C	Governor Lift Lever Link
L-111-C	Governor Lift Lever Connecting Link
L-112-D	Governor Weight Links (2)
L-136-G	Framing Slide Lever
L-161-C	Film Trap Door Trip Lever
L-162-D	Film Trap Door Opening Lever
L-163-D	Upper Non-Operating Side Door Stop Link
L-169-E	Automatic Fire Shutter Lift Lever
L-171-E	Shutter Lift Lever Pilot
L-177-D	Film Gate Lever
L-186-E	Shutter Lift Lever
LA-501	Screw (3)

\* Component Parts Not Listed Are Not Sold Separately



ORDER BY PART NUMBER

PART NO.	DESCRIPTION
N-166-C	Upper Pad Roller Arm Nut
N-171-BB	Flywheel Lock Nut
N-194-C	Adjustable Flange Lock Nut (2)
N-197-D	Pilot Lamp Cable Clamp Nut (Steel)
N-198-G	Friction Device Lock Nut
N-199-G	Nut
N-204-RB	Oil Sight Nut (2)
N-245-D	Front Shutter Guard Stud Nut (4)
N-259-D	Pilot Lamp Nut
N-260-D	Nut
N-261-E	Removable Door Film Guide Holder Stud Nut
N-263-BB	Cam Shaft Lock Nut
OA-139	Lock Washers for 50 Cycle Bodine
P-100-E	Film Trap Door Pad
P-102-C	Pad Roller
P-107-G	Shutter Gear Pin
P-119-E	Film Trap Door Holder Pin (2)
P-121-C	Film Trap Locating Pin
P-127-G	Framing Slide Arm and Roller Pin
P-128-G	Framing Slide Lever Pin
P-144-D	Door Lock Pin
P-153-A	Door Lock Plunger Pin
P-169-G	Shutter Gear Bracket Dowel Pin (2)
P-182-G	Shutter Shaft Collar Pin
P-289-C	Roller Arm Stop Pin (2)
P-350-BB	Intermittent Sprocket Pin (2)
P-353-BB	Case Retaining Clamp Pivot Pin (2)
P-359-E	Lateral Guide Roller Pivot (2)
P-360-BB	Intermittent Cam Pin
P-368-G	Double Bevel Gear Taper Pin
P-374-C	Upper Magazine Roller Holder Front Plate, Right (Mass.)
P-380-E	Film Trap Door Lock Pawl Pivot
P-404-C	Lens Carrier Pivot
P-405-C	Lens Slide Guide Pin (3)
P-408-D	Top Plate
P-409-G	Back Shutter Bracket Dowel Pin (2)
P-410-A	Framing Cam Pin (2)
P-414-G	Back Shutter Bracket Distance Piece
P-415-C	Lens Slide Plate
P-417-C	Upper Pad Roller Arm Plunger
P-418-A	Lens Carrier Support Dowel Pin (2)
P-419-G	Shutter Adjusting Slide Spring Pin
P-422-G	Framing Slide Lever Spring Pin
P-426-C	Upper Magazine Roller Holder Front Plate, Left (Mass.)
P-427-C	Upper Magazine Roller Holder Back Plate (Mass.)
P-430-A	Shutter Adjusting Rod Pin
P-436-E	Film Trap Door Protector
P-437-D	Upper Sprocket Shaft Oil Tube Fastening Plate
P-438-D	Upper Sprocket Shaft Oil Tube Packing



## ORDER BY PART NUMBER

PART NO.	DESCRIPTION
P-445-E	Aperture Plate Sliding Shim
P-446-E	Blank Aperture Plate
P-459-D	Super Simplex Name Plate
P-462-D	Cooling Plate
P-466-G	Shutter Guard Support Frame Dowel Pin (2)
P-530-E	Undersize Aperture Plate (.600x.825) (Square Corners)
P-543-D	Spot Sight Box Seating Plate
P-544-E	Film Trap Door Lock Plunger
P-545-E	Film Trap Door Holder Stud Retaining Pin
P-553-E	Removable Door Protector
P-554-G	Main Drive Gear Retaining Screw Spring Pawl
P-562-D	Shutter Guard Holding Support Plate (3)
P-650-E	Film Trap Plug
P-660-D	Front Shutter Guard Strap Plate (2)
P-663-E	Air Deflector Plate
P-671-E	Aperture Plate (Square Corner) (Stationary Type)
P-672-E	Aperture Plate (Slip-in Type, Square Corners)
P-677-BB	Intermittent Case Oil Regulating Plug
P-679-D	Front Shutter Upper Mounting Plate
P-680-D	Front Shutter Lower Mounting Plate
P-719-BB	Cam Shaft Lock Nut Plug
R-52	Movement Oil Drain
R-120-G	Framing Slide Guide Rod
R-128-G	Framing Slide Arm Roller
R-133-A	Framing Cam Ring
R-160-C	Small Magazine Roller (2)
R-161-C	Large Magazine Roller
R-162-D	Right Rear Cover Stripper Roller
R-227-C	Upper Magazine Roller (Mass.) (4)
R-240-D	Framing Gear Friction Ring
R-242-A	Shutter Adjusting Rod
R-245-D	Shutter Adjusting Rod
R-246-E	Lateral Guide Roller
R-255-D	Cover Holding Support Rod (3)
R-257-D	Framing Gear Handle Rod
R-264-D	Film Gate Opening Rod
R-274-D	Spot Sight Box Guide Rail (2)
R-279-C	Lens Carrier Upper Guide Rod
R-299-D	Front Shutter Guard Support Rod (3)
R-300-C	Lens Carrier Tie Rod
R-301-R	Shutter Aligning Rod
R-303-E	Air Deflector Glass Holder Retainer
R-311-E	Lateral Guide Roller Washer Retainer
RP-16	Nut
RP-17	Screw
RP-22	Screw
RP-24	Screw
RP-33	Screw



ORDER BY PART NUMBER

PART NO.	DESCRIPTION
RP-97	Lock Washer
RP-98	Screw
RP-99	Nut
RP-132	Screw
RP-190	Washer
S-100-E	Governor Weight Link Screw (2)
S-101-C	Governor Lift Lever Connecting Link Pivot Screw
S-102-E	Fire Shutter Lifter Link Retaining Screw
S-106-D	Stereo Slide Stop Screw
S-115-A	Centre Frame Screw (4)
S-118-L	Condenser Holder Tube Bushing Screw
S-122-C	Cover Screw (6)
S-125-B	Intermediate Shaft Retaining Collar Set Screw
S-130-E	Film Trap Door Film Guide Holder Fastening Screw (8)
S-132-E	Intermittent Film Guide Retaining Spring Screw
S-139-Y	Focusing Rack Stop Screw
S-141-A	Focusing slide Set Screw
S-143-A	Framing Cam Adjusting Ring Screw
S-145-G	Intermediate Gear Washer Retaining Screw
S-150-C	Governor Lift Lever Pivot Screw
S-151-D	Governor Link Holder Screw (4)
S-165-C	Fastening Screw
S-177-E	Star Wheel Shaft Collar Set Screw (2)
S-178-D	Door Knob Screw (2)
S-180-D	Left Door Lower Lock Screw
S-181-D	Upper Non-Operating Side Door Stop Link Screw
S-185-D	Operating Side Door Lock Stop Screw
S-192-D	Lower Reel Case Cover Knob Screw (2)
S-231-A	Rear Condenser Guide Rod Retaining Screw (3)
S-248-A	Upper Pad Roller Stud Screw
S-257-G	Screw
S-278-A	Upper Rear Friction Spring Screw (2)
S-321-G	Framing Slide
S-326-E	Intermittent Film Guide Retaining Spring
S-327-E	Film Trap Door Holder Spring
S-328-E	Film Trap Door Pad Spring
S-338-D	Door Lock Pin Spring
S-357-G	Governor Weight Stop
S-367-E	Film Trap Door Holder Stud
S-432-E	Intermittent Sprocket Stripper Screw (2)
S-434-E	Aperture Plate Fastening Screw (2)
S-436-G	Spiral Driving Gear Shaft Set Collar Fastening Screw (2)
S-437-G	Shutter Spiral Gear Fastening Screw
S-442-G	Intermediate Shaft Retaining Collar Set Screw
S-485-C	Magazine Roller Screw (6)
S-493-D	Governor Lift Lever Screw
S-514-C	Fire Shutter Lifting Stud
S-567-C	Pad Roller Arm Stud
S-569-A	Lower Pad Roller Arm Spring
S-573-C	Upper and Lower Sprocket Stripper Stud



ORDER BY PART NUMBER

PART NO.	DESCRIPTION	
S-580-E	Film Trap Door Double Tension Shoe	(2)
S-581-E	Film Trap Door Double Tension Shoe Spring	
S-665-E	Intermittent Film Guide Stud	(2)
S-705-G	Intermediate Gear Screw	(3)
S-706-C	Upper Pad Roller Arm Screw	
S-724-BB	Star Wheel Shaft Bearing Screw	(6)
S-725-BB	Flywheel Lock Nut Screw	
S-726-BB	Flywheel Shaft	
S-728-BB	Case Clamp Screw	(2)
S-729-BB	Case Cover Screw	(4)
S-731-BB	Intermittent Sprocket Stripper	
S-734-BB	Outer Bearing Oil Cup Spring	
S-762-E	Lateral Guide Roller Spring	
S-765-BB	Oil Deflector Screw	(2)
S-771-D	Stripper Roller Screw	(2)
S-852-C	Upper Pad Roller Arm Spring	
S-854-C	Lens Slide Spring	(3)
S-856-A	Shutter Adjusting Slide	
S-858-G	Shutter Adjusting Slide Spring	
S-860-C	Lens Carrier Set Screw	(5)
S-866-C	Film Trap Door Trip Lever Spring	
S-867-C	Upper Stripper	
S-869-C	Upper Pad Roller Arm Plunger Retain Screw	
S-870-G	Vertical Shaft	
S-871-G	Shutter Gear Shaft	
S-872-D	Screw	
S-873-C	Trip Lever Spring Fastening Screw	(2)
S-874-C	Film Trap Door Trip Lever Screw	
S-877-C	Lens Carrier Support Fastening Screw	(2)
S-878-D	Magazine Fastening Screw	(2)
S-880-A	Screw	
S-882-G	Back Bracket Fastening Screw	(4)
S-883-D	Screw	
S-884-D	Door Opening Lever Stop Screw	
S-885-A	Screw	
S-886-D	Door Opening Stop Screw	
S-893-D	Framing Gear Fastening Screw	
S-897-C	Knob Fastening Screw	(2)
S-898-E	Film Trap Bushing Fastening Screw	
S-899-G	Framing Slide Lever Stud	
S-900-E	Film Trap Shoe Retaining Screw	(6)
S-902-D	Shutter Guard Rod Fastening Screw	(3)
S-904-D	Light Shield Hood Fastening Screw	(2)
S-905-D	Screw	(3)
S-931-D	Oil Tube Fastening Plate Screw	(2)
S-932-G	Oil Tube Flange Fastening Screw	(2)
S-934-G	Shutter Shaft	
S-935-E	Automatic Fire Shutter Lift Link Screw	
S-951-BB	Star Wheel and Shaft	
S-957-D	Lens Carrier Support Spacer	(6)
S-958-C	Lens Slide Guide Pin Screw	(3)



## ORDER BY PART NUMBER

PART NO.	DESCRIPTION
S-959-E	Automatic Fire Shutter Upper Stop Screw
S-960-E	Automatic Fire Shutter Lower Stop Screw
S-961-D	Light Seal
S-962-D	Spot Sight Glass Tension Spring
S-966-D	Shutter Guard Holding Support (3)
S-973-D	Pilot Lamp Cable Clamp Fastening Screw
S-978-D	Friction Device Spring
S-987-D	Light Seal Fastening Screw (4)
S-989-G	Friction Device Lock Nut Set Screw
S-1000-G	Screw
S-1005-D	Shutter Shaft Knob Set Screw
S-1013-C	Lens Slide
S-1026-D	Shutter Spider Clamp Screw (2)
S-1031-G	Lower Sprocket Shaft
S-1032-G	Intermediate Shaft
S-1033-G	Top Sprocket Shaft
S-1036-E	Film Trap Right Shoe (Slip-in Aperture Type)
S-1037-E	Film Trap Left Shoe (Slip-in Aperture Type)
S-1042-A	Oil Plug Screw (2)
S-1045-D	Shutter
S-1069-D	Pilot Lamp Cable Clamp Screw
S-1082-G	Spiral Driving Gear Shaft
S-1130-D	Pilot Light Shield (2)
S-1131-D	Back Shutter Bracket Ball Bearing Housing Fastening Screw (2)
S-1134-D	Upper Retaining Strip
S-1135-D	Lower Retaining Strip
S-1136-D	Retaining Spring (3)
S-1137-D	Retaining Spring Screw (6)
S-1138-D	Spot Sight Box Mount Assembly Screw (Long) (2)
S-1139-D	Spot Sight Box Stop Screw (2)
S-1142-E	Film Trap Shoe (Vertical Aperture Type) (2)
S-1143-E	Film Trap Door Lock Trigger Support
S-1144-E	Film Trap Door Lock Plunger Spring
S-1145-E	Film Trap Door Lock Fastening Screw
S-1146-A	Oil Hole Cap Screw
S-1153-D	Handle Shaft Oil Shield
S-1157-E	Removable Door Support Bracket Screw (Long)
S-1159-E	Removable Door Support Bracket Screw (Short)
S-1160-G	Main Drive Pulley Retaining Screw
S-1166-C	Lens Carrier Adjusting Screw
S-1169-C	Lens Carrier Support
S-1170-C	Lens Clamp Screw (2)
S-1248-G	Shutter Spiral Gear Headless Set Screw
S-1361-E	Aperture Spacing Plate
S-1372-D	Heat Plate Fastening Screw
S-1391-C	Lower Pad Roller Arm Stud Screw
S-1392-C	Lower Pad Roller Arm Stud
S-1399-D	Front Shutter Guard Stud (4)
S-1400-D	Front Shutter Guard Support
S-1401-D	Shutter Lift Lever Support
S-1404-R	Aligning Rod Holder Screw



## ORDER BY PART NUMBER

PART NO.	DESCRIPTION
S-1414-D	Shutter Adjusting Slide Holding Screw
S-1422-D	Front Shutter Guard Strap
S-1430-E	Fire Shield Hood Slide Pressure Spring (2)
S-1438-C	Lens Slide Flange Spacer
S-1441-D	Front Shutter Guard Strap Screw (2)
S-1447-G	Clamp Collar Screw (3)
S-1452-C	Lens Carrier Support Friction Screw
S-1453-D	Shutter Spider
S-1454-D	Front Shutter Mounting Plate Fastening Screw (2)
S-1481-D	Name Plate Screw
S-1491-C	Lens Carrier Adjusting Knob Screw
S-1500-C	Side Plate Fastening Screw (Long) (10)
S-1502-D	Pilot Lamp Switch
S-1503-D	Pilot Lamp Socket
S-1504-D	Pilot Lamp Shield
S-1505-D	Pilot Lamp Fastening Screw
S-1507-A	Main Drive Shaft Collar Screw
S-1511-E	Intermittent Film Guide Stud Screw (4)
S-1515-BB	Cam Shaft Lock Nut Set Screw
S-1520-A	Framing Slide Lever Stud Screw
T-101-E	Film Trap Door Holder Thimble
T-137-E	Film Trap Door Lock Trigger
T-161-E	Film Trap (Slip-in Type)
T-170-D	Support Frame Oil Tube
T-176-C	Lens Carrier Stop Tube
TA-118	AC Supply Plug
W-105-B	Shutter Driving Bevel Gear Thrust Washer
W-114-G	Lower Sprocket Shaft Washer
W-124-G	Vertical Shaft Washer
W-125-G	Vertical Shaft Washer #2
W-140-G	Intermediate Gear Retaining Washer
W-145-D	Upper Feed Sprocket
W-146-D	Lower Takeup Sprocket
W-148-E	Film Trap Door Holder Stud Distance Washer
W-160-C	Washer
W-191-BB	Flywheel
W-198-E	Lateral Guide Roller Spring Retainer Washer
W-208-G	Thrust Washer (2)
W-223-D	Friction Device Washer (2)
W-227-BB	Oil Retain Washer (2)
W-231-D	Shutter Blade Screw Washer (8)
W-250-G	Shutter Shaft Friction Washer
W-298-D	Front Shutter Guard Stud Washer (4)
W-306-G	Intermediate Bevel Gear Washer
W-308-C	Focusing Shaft Spring Washer (3)
W-311-C	Friction Screw Lock Washer
W-317-D	Washer
W-319-D	Pilot Lamp Washer
W-326-D	Pilot Lamp Cable Clamp Washer
W-328-BB	Star Wheel Shaft Outer Bearing Washer







*Simplex*  
REG. U.S. PAT. OFF.

**E·7 · SUPER · SP**  
**PROJECTORS**

DISTRIBUTED BY



BRANCHES IN PRINCIPAL CITIES

*Simplex*  
REG. U.S. PAT. OFF.

★★★★

*Sound*