

THE BROCKLISS

MONARC

**UNIVERSAL
AUTOMATIC
PROJECTION
LAMP**

FOR D.C. AND A.C. PROJECTION

J. FRANK BROCKLISS LTD.

167-169 WARDOUR STREET, LONDON W.1.

Telephone: GERRARD 2911/2/3

Telegrams: STAFILM, WESDO, LONDON

PROJECTION POINTS— at their best

Specially designed Vent Flue Damper to prevent any down draught—ensuring perfect burning of arc.

Arc Imager and Indicator Screen showing burning of arc.

Rear Lamphouse Casting—easily removable allowing complete arc interior to be removed.

Full Opening Doors on both sides of Lamphouse.

Potentiometer for Motor Speed Control—wide range regulation.

Ball Raced Heavy Duty Motor—trouble free service.

Accurately Machined Heavy Cast-iron Base—not sheet metal.

Positive and Negative Handifed Handles.

Rapid-action Mirror Retaining Clip.

High Efficiency Optical Mirror—each carefully tested— $10\frac{1}{4}$ in. diameter.

Positive Carbon Guide Shute—ensures copper deposit from carbon entering ash tray—resulting in long life of mirror.

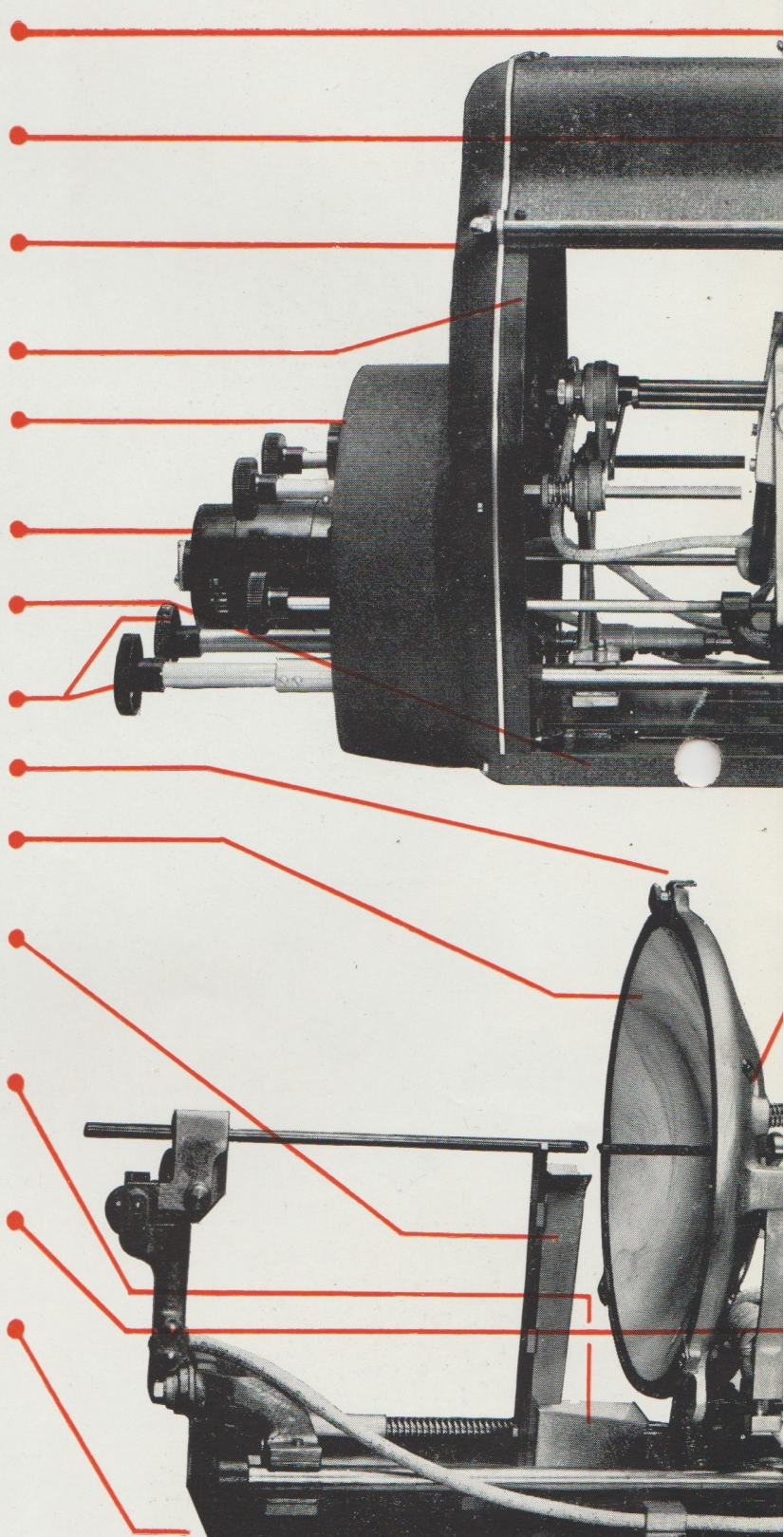
Carbon Deposit Ash Tray—easily removable—particles of copper are deposited in this tray, and are not scattered over Lamphouse base.

Energised Magnet Arc Flame Control—ensures correct stabilisation.

Heavy Rolled Steel Base Plate—arc burner is a separate unit to the Lamphouse.

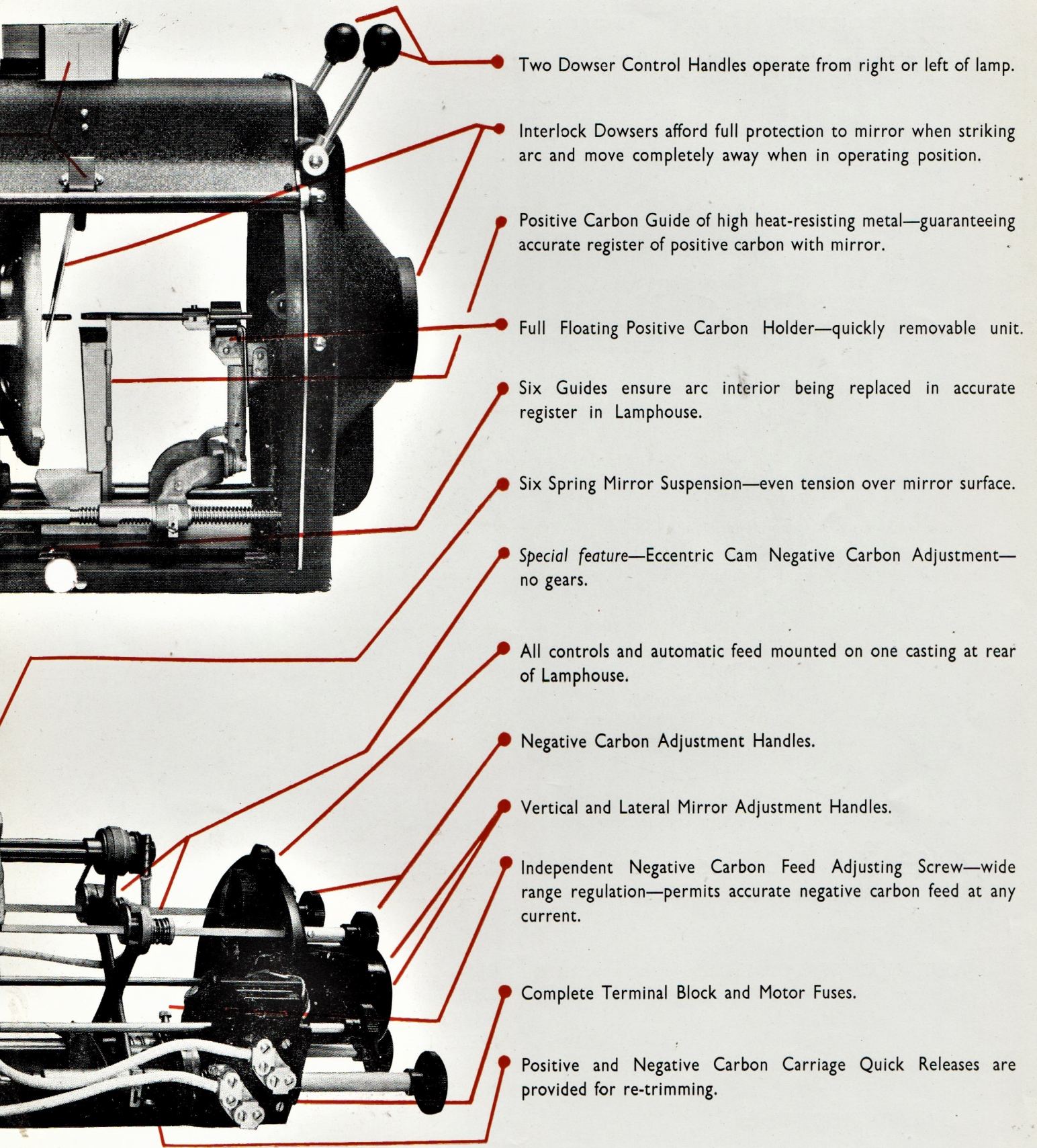
CURRENT RANGE ON D.C. 15-65 AMPS.

CURRENT RANGE ON A.C. 80-85 AMPS.



MANUFACTURED & CONTROLLED BY

est with the “MONARC”



Two Dowser Control Handles operate from right or left of lamp.

Interlock Dowsers afford full protection to mirror when striking arc and move completely away when in operating position.

Positive Carbon Guide of high heat-resisting metal—guaranteeing accurate register of positive carbon with mirror.

Full Floating Positive Carbon Holder—quickly removable unit.

Six Guides ensure arc interior being replaced in accurate register in Lamphouse.

Six Spring Mirror Suspension—even tension over mirror surface.

Special feature—Eccentric Cam Negative Carbon Adjustment—no gears.

All controls and automatic feed mounted on one casting at rear of Lamphouse.

Negative Carbon Adjustment Handles.

Vertical and Lateral Mirror Adjustment Handles.

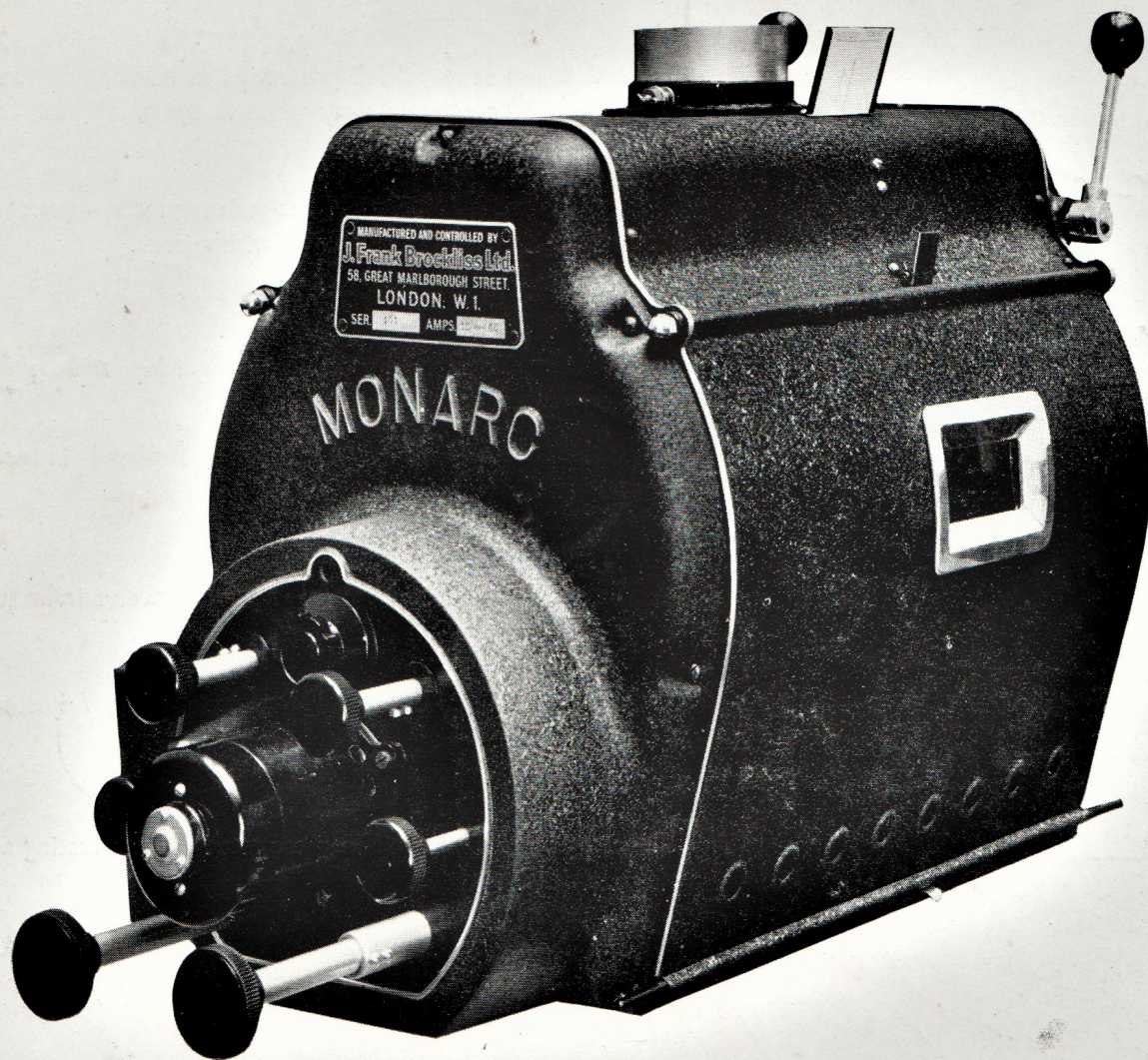
Independent Negative Carbon Feed Adjusting Screw—wide range regulation—permits accurate negative carbon feed at any current.

Complete Terminal Block and Motor Fuses.

Positive and Negative Carbon Carriage Quick Releases are provided for re-trimming.

"MONARC"

- Lamps must be ordered for—High Intensity—Low Intensity or A.C. use.
- Lamps for use with A.C. need Transformers.
- Transformers for Single Phase A.C. Supply—Price on application.



Prices and Designs subject to change without notification.

- **PRICE FOR D.C. and A.C. LAMPS on application**

DISTRIBUTED ALSO BY

WESTERN ELECTRIC CO. LTD.,
Liberty House, Regent Street,
London, W.1.

and provincial branches in

GLASGOW

NEWCASTLE-ON-TYNE

LEEDS

MANCHESTER

BIRMINGHAM

CARDIFF

BRANCHES AND DISTRIBUTORS:

GLASGOW, C.I. . . . 181, Howard Street.

BIRMINGHAM 27, John Bright Street.

MANCHESTER. 3, The Parsonage.

LEEDS, I 67, Britannia House,
Wellington Street.

NEWCASTLE-ON-TYNE, I Crowe & Co., (K.E.) Ltd.
52, Stowell Street.

DUBLIN The Century Machinery Stores Ltd.
70, Middle Abbey Street

PARIS 17e Brockliss Simplex S.A.
6, Rue Guillaume Tell.

BRUSSELS Brockliss Simplex S.A.
7 Rue Dupont.